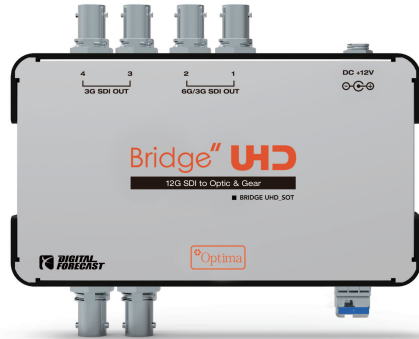


Bridge UHD_SOT

12G SDI to Optic Transmitter UHD Converter + Optic Extender



Descriptions

Bridge UHD_SOT converts 12G-SDI signal to Optic signal, and transmits up to 10km. Bridge UHD_OSX provides the two selectable modes of Dual 6G with Optic output for a long distance and Quad 3G output for a short distance. Bridge UHD_OSX is designed with Optima technology allowing to directly pair with any of Optima products : Bridge UHD_SOT/ OSR/ QSO/ OQS & M_HOT/ M_OHR/ M_OTR 3GT/ M_OTR 3GR, and UHD MEDUSA.

Feature

- Optima technology applied
- Optima Optic Module
- Standard SDI (HD, 3G, 6G, 12G) format input supported
- Optic & 6G Dual out or 3G Quad out mode selectable
- 6G Dual Mode : Dip Switch 1 - Up / 3G Quad Mode : Dip Switch 1 - Down)
- LC single mode, max 10Km

Optical Spec.
Type : Small Form-Factor Pluggable (SFP)
Power : 3.3 V
Datarate : max 6G dual
Wavelength : 1310 nm, 1490 nm

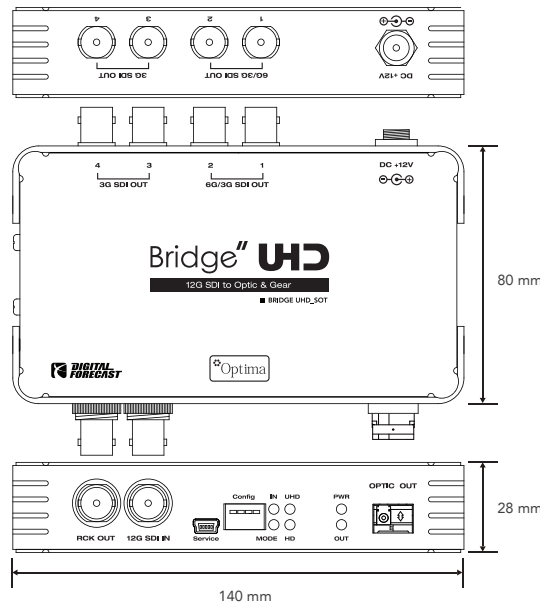
Operating Environment

Power Level	7V ~ 16VDC
Power Consumption	12 Watts (Max 13 Watts)
Operating Temperature	0°C ~ 55°C
Humidity	0% ~ 95% RH, Non-condensing
Data Rate	Max 600Mhz
Signal Level	800mVp-p +/- 80mV



Drawing Dimension [mm]

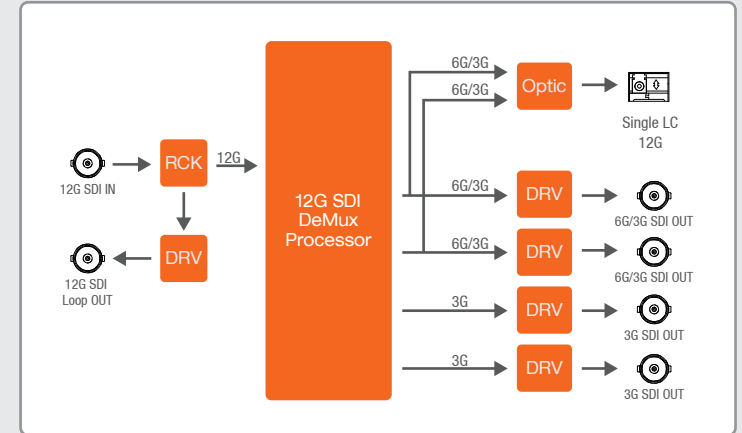
W140.0 x L80.0 x H28.0 mm / 271g



Digital Video Specs.

- SMPTE-296M : 720p (60/59.94/50)
- SMPTE-274M, SMPTE-292M : 1080i (60/59.94/50)
- SMPTE-424M : 1080p (60/59.94/50) 3G
- SMPTE-ST2081 : 2160p (30/29.97/25) 6G
- SMPTE-ST2082 : 2160p (60/59.94/50) 12G

Block Diagram



Format Support

Input Format	Output Format	480i (NTSC)	576i (PAL)	480p	576p	720p24	720p25	720p30	720p50	720p59.94	1080i50	1080i59.94	1080i60	1080p24	1080p25	1080p30	1080p50	1080p59.94	1080p60	2160p23.98	2160p24	2160p25	2160p29.97	2160p30	2160p50	2160p59.94	2160p60	