

# DIREXIONIK



## Ei Series Safety Intercom

Ei Series Safety Intercom is available in four models designed to address the needs and requirements of various applications and installation types. All models deliver full-duplex communication and secure access control for your VoIP system. Ideal for any setting such as commercial facilities, schools and universities, medical facilities, warehouses, and retail establishments.

## Applicable Scenarios



Schools



Office Buildings



Health Care



Industrial Facilities



Warehouses



National Parks



Government Offices



Parking Garages



Financial Institutions



Rest Stops

## Features



### Gesture Activation

Activated by a hand wave, delivering the touch-free way of communication call without the additional touch to the device.



### Dual Destinations

One device, two call destinations. The Ei and Ei-W05 both contain two call destinations, which can set up for different purpose use, such as information and emergency buttons.



### Video Intercom

The video intercom can be streamed to multiple devices using RTSP. For non-camera models, it can connect with IP camera through IP Audio Center for video linkage.



### Access Control

All models can connect with electromagnetic, simply using the DTMF keypads on IP phone for door releasing or closing.



### Sensor Detection

When a sensor is attached with the intercom, abnormal behaviors or activities detected by sensor will trigger alert immediately.



### Audio Out

When used in noisy environments, connecting with an active speaker or power amplifier can be used for sound expansion.



### Multi SIP Accounts

Support three lines SIP accounts, user may register the intercom in more than one system for achieving different functionality purposes.



### PoE+ Supported

Ei Series is PoE+ supported, making it easy to connect into the local area networks from your PoE switch with a CAT 5/6 cable. No extra power supply is required.



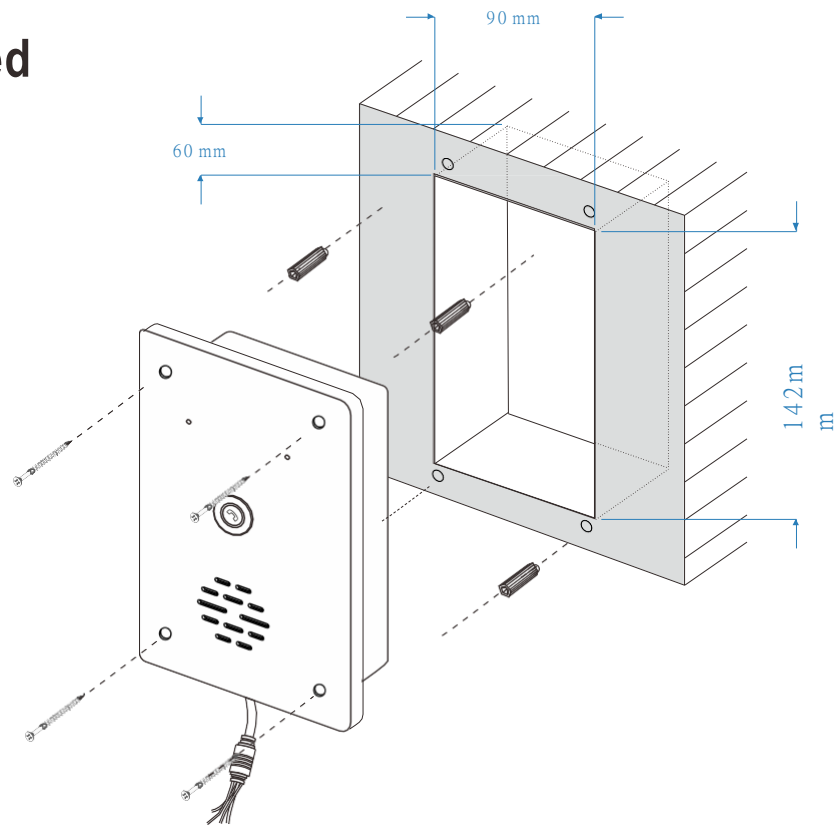
### SIP Compliant

Standard SIP protocol implemented, you can register the intercom into any SIP server such as IPPBX system for multi-use.

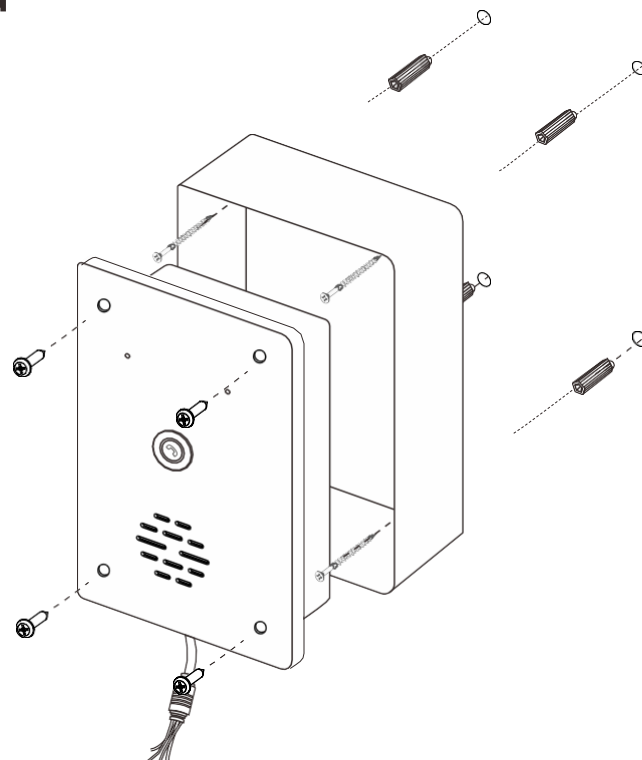
## Specifications

Speaker	20114416	20114414
Drive Unit	Φ40 full frequency drive unit	
Sensitivity	96±3dB/1M/1W	
Distokion	<1%	
Amplifier	5W Single Channel D-class	
Rate Power	8Ω 5W	
Frequency Range	100Hz~20KHz	
Acoustics	Mono	
<b>Microphone</b>		
Microphone	-36±2dB	
<b>Sensor</b>		
Detection Length	N/A	N/A
<b>Audio Compression</b>		
Audio Codecs	G.722, G.711 A-law, G.711 U-law, Opus	
Music Streaming	MP3 sampling rate 8-48KHz, bit rate 64-320kbps, mono or stereo	
<b>Video</b>		
Camera	1280*720@20fps,640*360@20fps	N/A
Video Codec	H.264	N/A
<b>Network</b>		
Network Intedace	10/100Mbps, Suppok PoE IEEE 802.3at	10/100Mbps, Suppok PoE IEEE 802.3af/at
Protocols	SIP(RFC3261), HTTP, TCP/IP, SSL, DNS, SNTP, NTP, RTSP, RTP, RTCP, TCP, UDP, MQTT, ICMP, DHCP, ARP, SSH	
<b>Administration</b>		
Configuration	Web intedace or auto provisioning seser	
Provisioning method	MQTT IoT Protocol	
<b>Mechanical Propekies</b>		
MemoQ	128MB RAM, 256MB Flash	
Power Input	PoE IEEE 802.3 at or DC 12V-2A	PoE IEEE 802.3at/af or DC 12V-1A
Material	Corrosion-resistant aluminum	
Color	Silver	
Weight	500g	
Dimension	162mm*100mm*44mm	
Mounting Methods	Sudace or Flush mounted	
<b>Environmental</b>		
Installation	Indoor/Outdoor	
Operating Temperature	-20℃~50℃ (-4°F~122°F)	
Storage Temperature	-40℃~70℃ (-40°F~158°F)	
Humidity	10% - 95% RH Non-condensing	
<b>Approvals</b>		
Approvals	EN IEC 62368-1:2020+A11:2020 EN 55032:2015/A11:2020/EN 55035:2017/A11:2020/ENIEC61000-3-2:2019/EN61000-3-3:2013/A1:2019 FCC Pak 15B	

## Flush-mounted



## Surface-mounted



**DIREKTRONIK**

*Dataprodukter utöver det vanliga*