

USER MANUAL

54582

LL LED-A

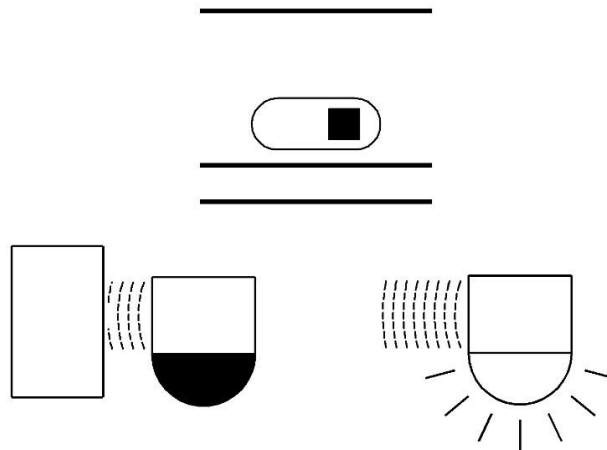
LED Light with proximity sensor



FUNCTION

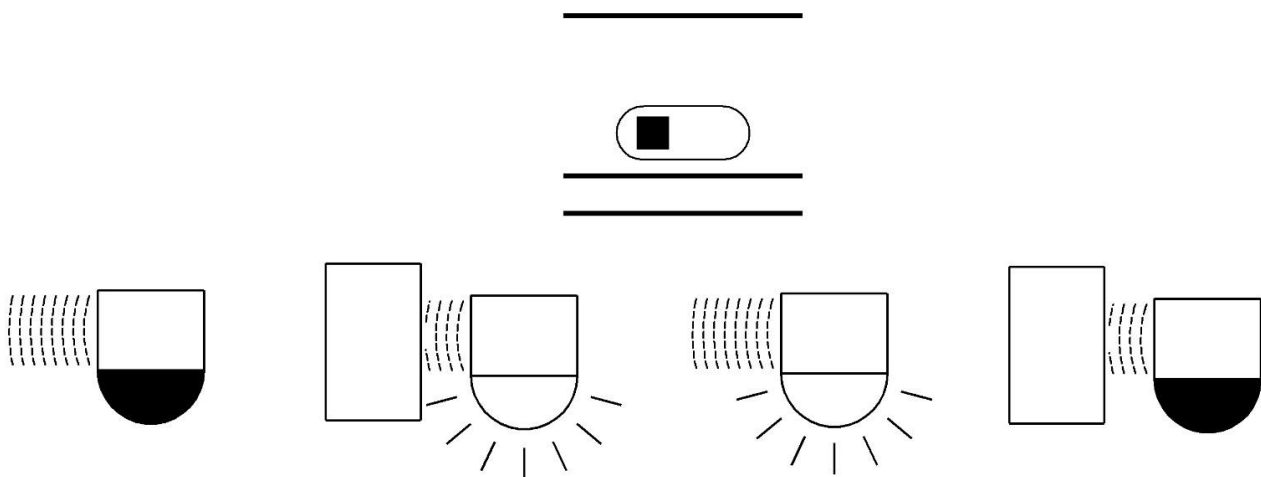
OPTION 1 – Proximity detection mode

Ideal mode for F1/S1 cabinets with doors installed. Lights is switched on when door is opened and switched off when door is closed.



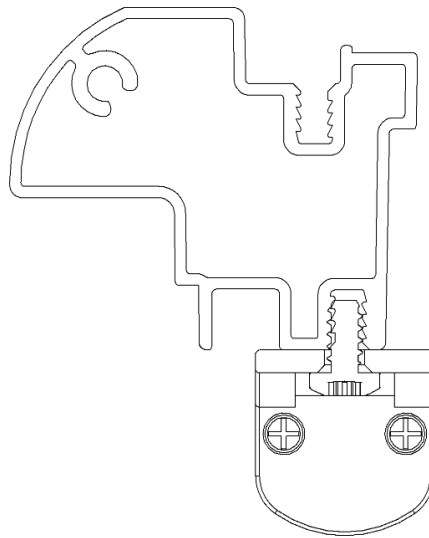
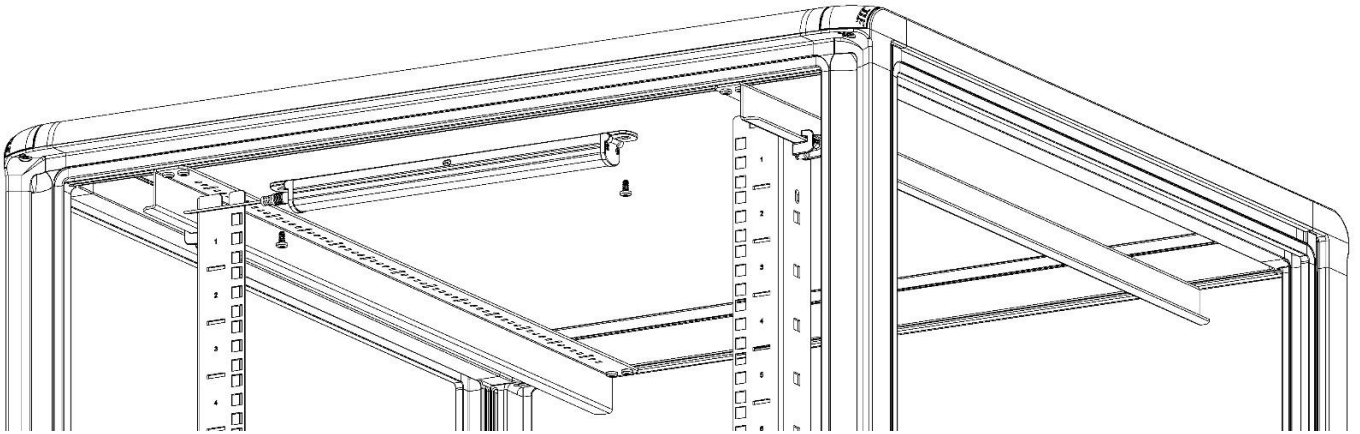
OPTION 2 – Switching through motion mode

Ideal mode for frames without doors or cabinets where placement of the light close to the door is possible.



MOUNTING

On F1/S1 use the include screws to fix the LL LED-A light in the top aluminum profile.



On all other cabinets, fix the light with built in magnetic in any position required.

TECHNICAL DATA

LED light unit	
Rated current:	300 mA DC
Rated power:	3.6 W
Luminance:	180 LM
Light emitting angle:	120°
Color temperature:	6000-6500 K
Product life:	30000 h
Power adaptor	
Rated input voltage:	110-240 VAC 50/60 Hz
Rated output voltage:	12V DC
Constant output current:	300 mA DC
Cable length:	3 m
Working condition:	0°C - 55°C, 10%-90%