

# **SPECIFICATION FOR APPROVAL**

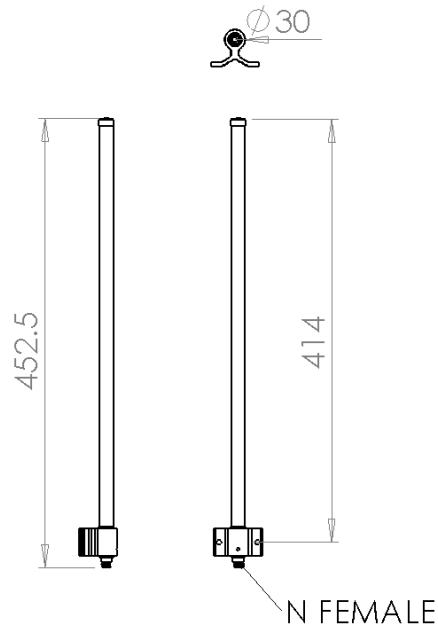
**Customer :**

**Model No.:** OE-001

**Description :** 2.4~2.4835GHz OMNI ANTENNA

**Date :** 2001/01/08

**Rev :** 1



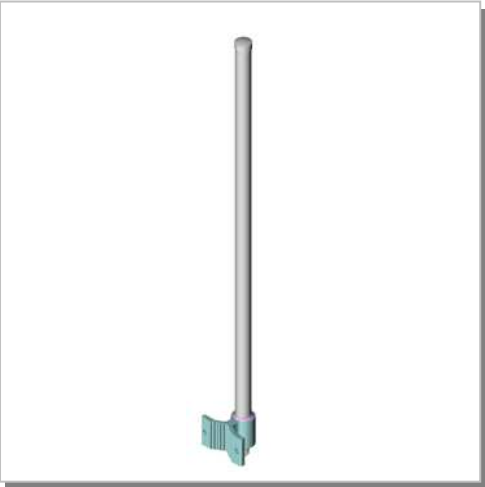
### **Electrical Specifications:**

Frequency Range :	2.4~2.4835GHz
VSWR :	≤ 2.0
Impedance :	50Ω ± 5Ω
Forward Gain :	7dBi
Polarization :	Vertical
Power Handling :	10 Watt
Beam Width :	H 360° / E 17.5°

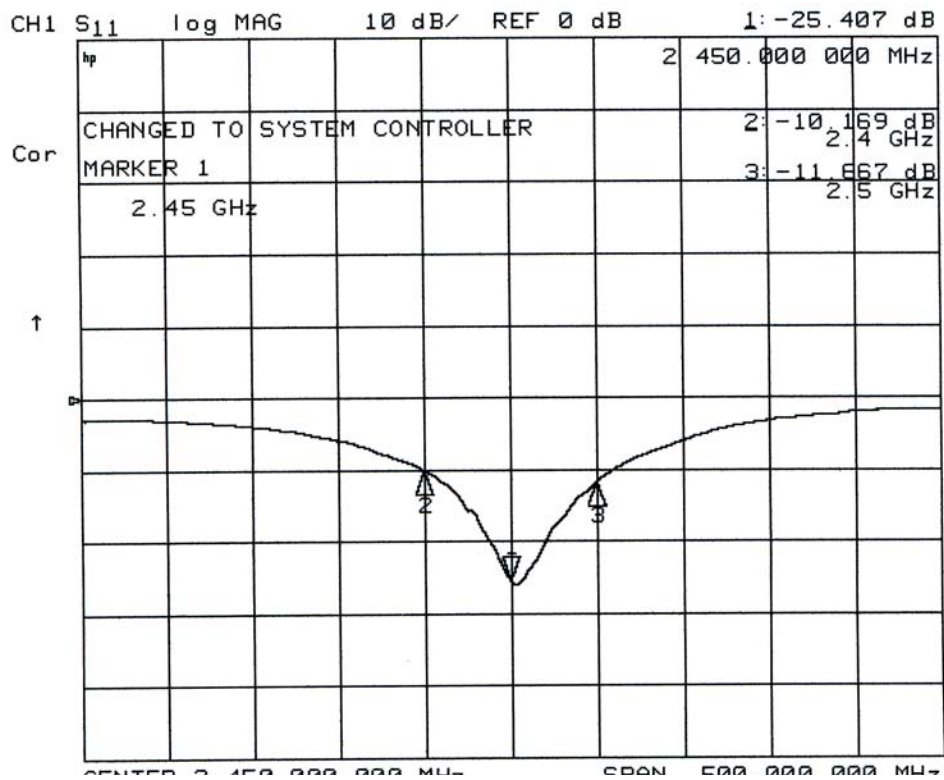
### **Mechanical Specifications:**

Connector :	N Female
Operation Temp. :	-30°C ~+60°C
Material :	Radome: Fiberglass Base: Aluminum Alloy Mount: Aluminum
Dimension (L*W*H) :	Ø30*414 mm
Weight :	400g ±20g
Color :	White

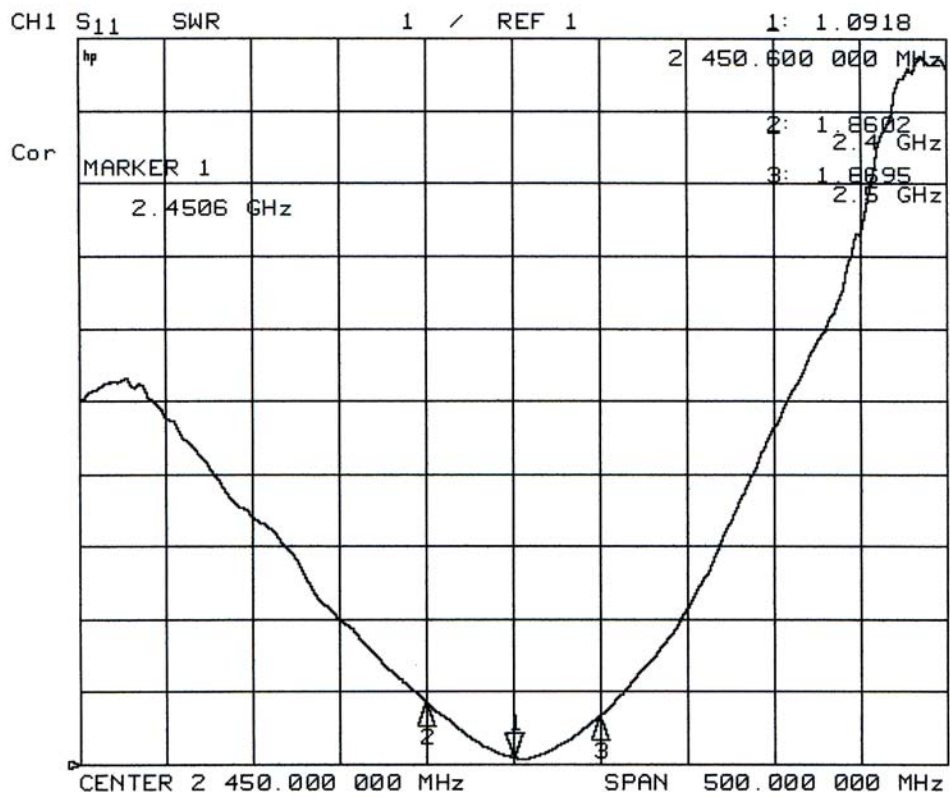
**3D Illustration**



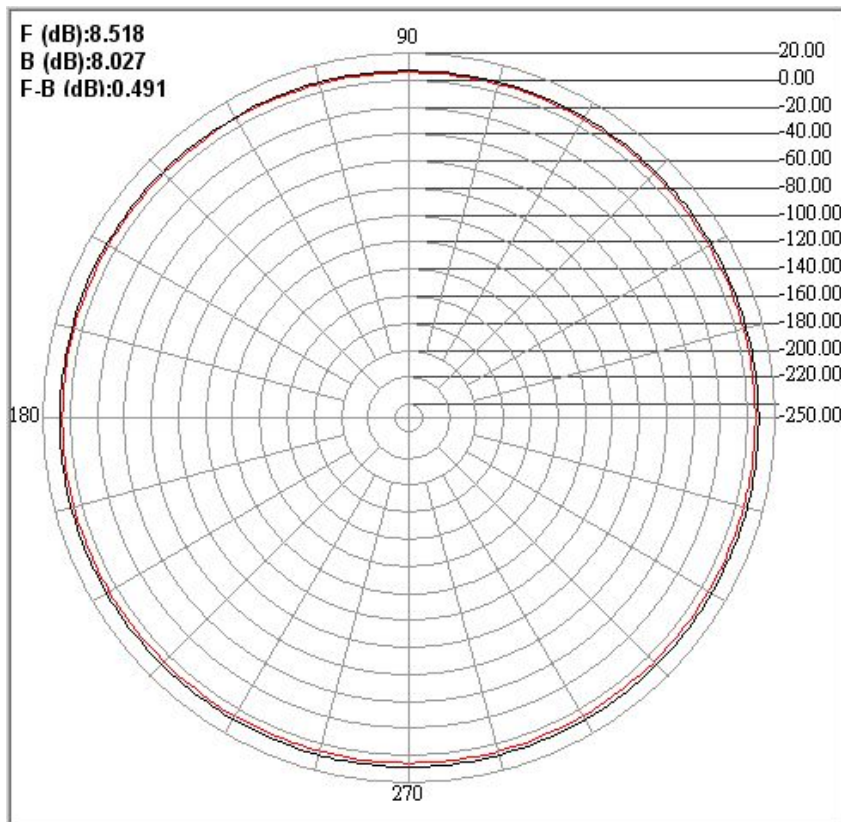
# RETURN LOSS



# SWR



# **H-PLANE**



## **E-PLANE**

