



DCM5000PW

User Manual / MANUAL DEL USUARIO /
Manuel d'utilisation / Benutzerhandbuch /
Manuale Utente



Intertek

UK
CA



- EN All New Designed Bluetooth Clamp Meter
- ES Pinza amperimétrica Bluetooth de nuevo diseño
- FR Tout nouveau compteur à pince Bluetooth conçu
- DE Komplett neu gestaltetes Bluetooth-Messzange
- IT Pinza amperometrica Bluetooth di nuova concezione

Safety Information

Understand and follow operating instructions carefully.

Warning

Identifies hazardous conditions and actions that could cause **BODILY HARM** or **DEATH**








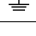
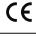


- When using test leads or probes, keep your fingers behind the finger guards.
- Individual protective equipment should be used if HAZARDOUS LIVE parts in the installation where measurement is to be carried out could be ACCESSIBLE.
- Remove test lead from Meter before opening the battery door or Meter case.
- Use the meter only as specified in this manual; otherwise, the protection provided by the meter may be impaired.
- Always use proper terminals, switch position, and range for measurements.
- Verify the Meter's operation by measuring a known voltage. If in doubt, have the Meter serviced.
- Do not apply more than the rated voltage, as marked on Meter, between terminals or between any terminal and earth ground.
- Use caution with voltages above 30 Vac rms, 42 Vac peak, or 60 Vdc. These voltages pose a shock hazard.
- To avoid false readings that can lead to electric shock and injury, replace battery as soon as low battery indicator blinks.
- Disconnect circuit power and discharge all high-voltage capacitors before testing resistance, continuity, diodes, or capacitance.
- Do not use Meter around explosive gas or vapor.
- To reduce the risk of fire or electric shock do not expose this product to rain or moisture.
- Probe assemblies to be used for MAINS measurements shall be RATED as appropriate for MEASUREMENT CATEGORY III or IV according to EN 61010-031 and shall have a voltage RATING of at least the voltage of the circuit to be measured.

Caution

Identifies conditions and actions that could **DAMAGE** the meter or equipment under test.

- Disconnect the test leads from the test points before changing the position of the function rotary switch.
- Never connect a source of voltage with the function rotary switch in Ω , ∇ position.
- Do not expose Meter to extremes in temperature or high humidity.
- Never set the meter in Ω , ∇ function to measure the voltage of a power supply circuit in equipment that could result in damage the meter and the equipment under test.

Symbols as marked on the Meter and Instruction manual

	Risk of electric shock		See instruction manual
	DC measurement		AC measurement
	Both direct and alternating current		Low battery
	Equipment protected by double or reinforced insulation		Earth ground
			Conforms to EU directives
	Application around and removal from hazardous live conductors is permitted		Do not discard this product or throw away.

Unsafe Voltage

To alert you to the presence of a potentially hazardous voltage, when the Tester detects a voltage ≥ 30 V or a voltage overload (OL) in V . The ⚡ symbol is displayed.

Maintenance

Do not attempt to repair this Meter. It contains no userserviceable parts. Repair or servicing should only be performed by qualified personnel.

Cleaning

Periodically wipe the case with a dry cloth and detergent. Do not use abrasives or solvents.

Feature

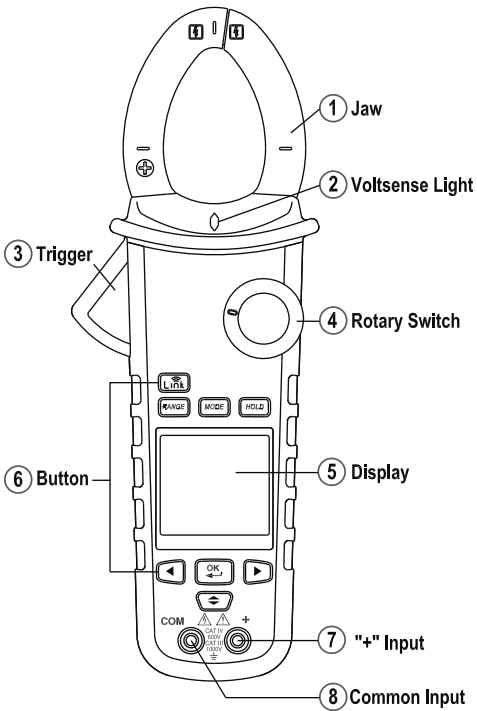
- 10000 Count digital display
 - Active Backlit, Large scale display
 - VoltSeek (None Contact Voltage)
 - Analog Bar graph
 - True RMS reading on AC and AC+DC mode
 - Memory Save/Load (data amount up to 1000)
 - Data logger (data amount up to 9999)
 - Wireless transmission communication
 - Torch lightening when clamping
 - Auto AC/DC 1000 Volts capability and selection
 - 100K Resistance capability
 - Continuity Beeper
 - Frequency Counter
 - Power and Power factor measurement
 - Total Harmonics distortion and Harmonics 1 to 25
 - Capacitance capability
 - Inrush Current
 - Peak Hold
 - MIN/MAX HOLD
 - Smart Data Hold
 - Phase rotation indication
 - Flex AC Current
 - High frequency rejection
 - Auto Power Off
 - CAT.IV 600V / CAT.III 1000V Safety Standard
-

Unpacking and Inspection

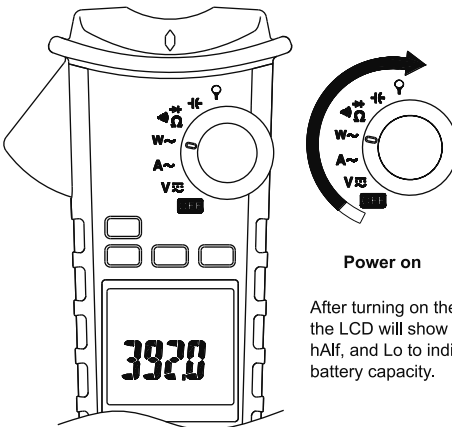
Upon removing your new Power Clamp Meter from its packing, you should have the following items:

1. Power Clamp Meter
2. Test leads. set (one black, one red)
3. User Manual
4. Carrying case
5. Battery

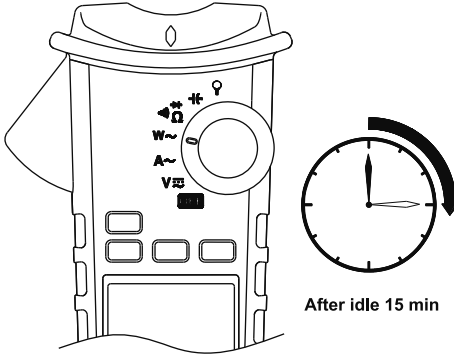
The Meter Description



Power On / Off



Auto Power Off

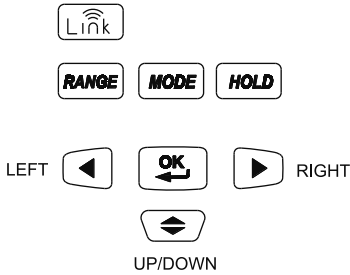


The meter can work again by turning it on from the OFF position.

Auto Power Off (APO) disable :

Press OK button while tuning meter on from OFF position.

Push Buttons



Menu Operation

MMA Hz HFR W~ A~ V~ MEM LOG
A-SAVE SAVE LOAD CLR RATE

Example

	Use Arrow keys to move the blinking cursor to the target icon, and then press OK button
	Use Arrow keys to move the blinking cursor to the target icon, and then press OK button for more than 2sec.
MMA	The icon without underline means the function is not executed.
<u>MMA</u>	The icon with underline means the function is executed.

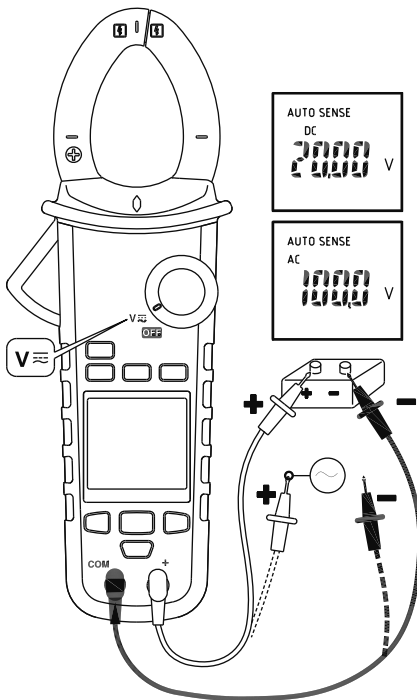
Making Basic Measurements

Preparation and Caution Before Measurement

⚠: **Observe the rules** of **⚠** Warnings and **⚠** Cautions
The figures on the following pages show how to make basic measurements.

When connecting the test leads to the **DUT** (Device Under Test) connect the common test lead before connecting the live lead ; when removing the test leads, remove the test live lead before removing the common test lead.

Measuring Voltage

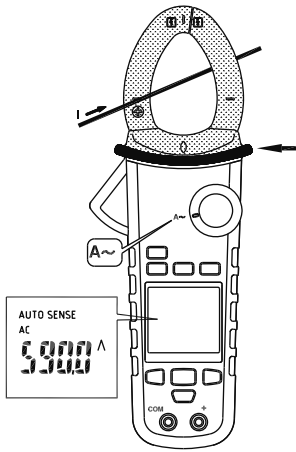


⚠ Warning

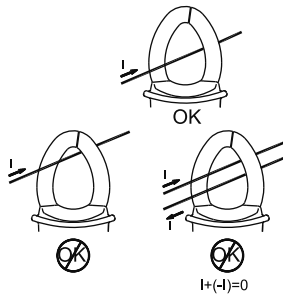
To avoid electrical shock, hazard or damage to meter, do not attempt to measurement that might exceed 1000 V DC or AC RMS. Do not apply more than 1000 V DC or AC RMS between the common input terminal and earth ground.

Note - If the measured voltage is greater than 30 V DC or AC RMS, the display will show the "⚡" symbol.

Measuring Current



- ⚠ CAT. IV. 600V
CAT. III. 1000V
with respect to earth for the jaw.
Tactile Barrier for hand guard.
- ⚠ Do not hold the meter across
the Tactile Barrier.



- Don't clamp on any conductor while the meter power on.
- Torch lightening when clamping.

AUTO SENSE mode :

Display measurement result at AC only with RMS value or DC value, it depends on whichever is greater.

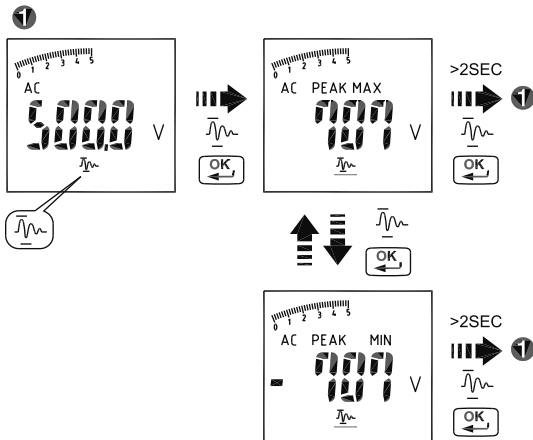
- AC mode :** AC only with RMS value.
- DC mode :** DC value.
- AC+DC mode :** AC+DC RMS value.

Note

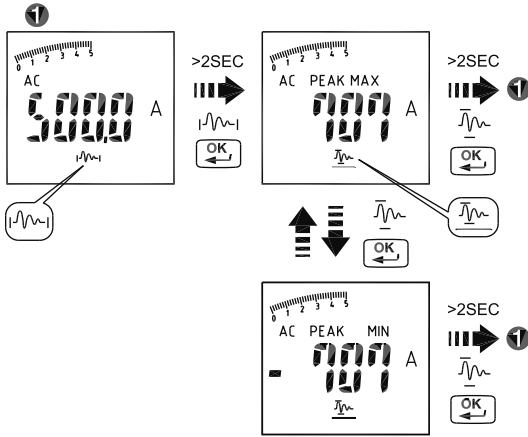
- Press MODE button to enter the AC/DC/AC+DC mode.
- Press MODE button for more than 2sec to return to the AUTO SENSE mode.

PEAK HOLD \bar{I}_m (AC mode only)

ACV mode



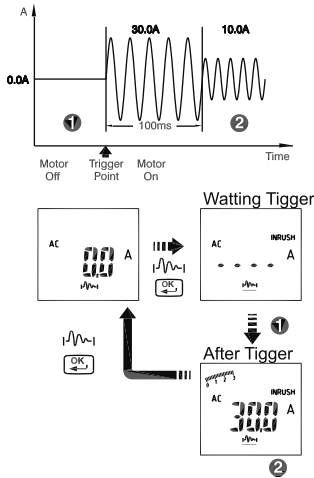
ACA mode



In PEAK HOLD mode, the meter is activated to save the positive peak value and negative peak value. Positive peak value is displayed in PEAK MAX mode. Negative peak value is displayed in PEAK MIN mode.

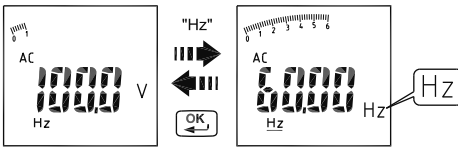
Inrush current \overline{I}_m (AC mode only)

If the under testing Inrush current could be bigger than 100A ac, please select the range to 600A in advance before activating inrush current.



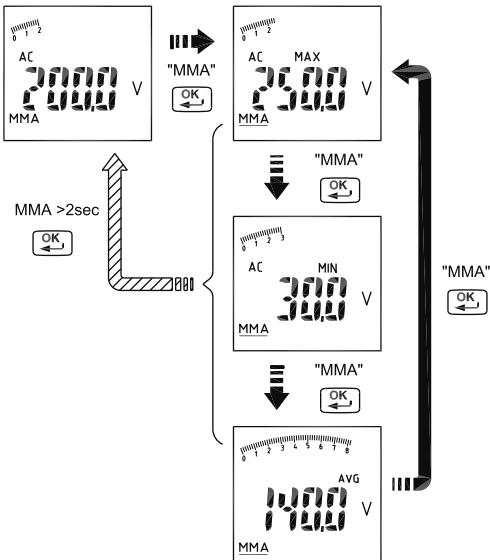
Measuring Frequency (AC mode only)

Select the "Hz" indicator then press the OK button to enter/exit the frequency measurement mode.



MAX/MIN/AVG

The MAX/MIN/AVG mode records the minimum and maximum input values. When the inputs go below the record minimum value or above the record maximum value, the meter records the new value. The MAX/MIN/AVG mode can also calculate the average of reading.



NOTE :

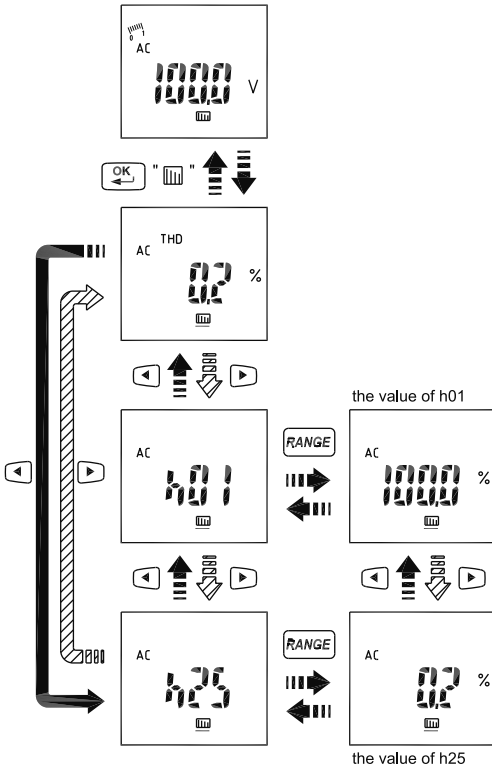
- Press HOLD key in MAX/MIN/AVG mode to make the meter stop updating the maximum, minimum and average values. When the HOLD mode is nested in MAX/MIN/AVG mode, the HOLD mode must be released before the MAX/MIN/AVG mode.

Harmonic Measurement (AC mode only)

$THD-F = \text{RMS of Harmonics} + \text{RMS of fundamental} \times 100\%$
(harmonics up to the 25 th)

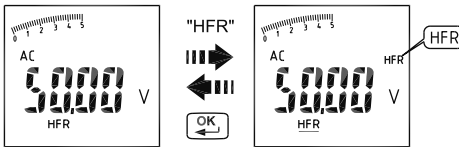
$H_n = \text{RMS of Individual Harmonic} + \text{RMS of fundamental} \times 100\%$

Press RANGE button to display harmonic order or the value of the harmonic (unit : %).



HFR (AC mode only)

Select the "HFR" indicator then press the OK button to eliminate high frequency noise.



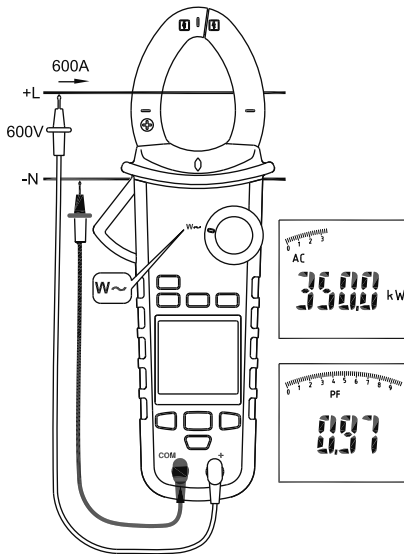
NOTE :

Peak Hold, Inrush, HZ, Harmonic and HFR mode are only available in AC mode.

Measuring Active power(W)/Power factor(PF)

1.Single Phase Power Measurement

- Step1. Set the rotary switch to the "W" position.
 Step2. Connect the Red test lead to the L, and the Black test lead to the N.
 Step3. Press the trigger to open the transformer jaws and clamp one conductor only, make sure that the jaw is firmly closed around the conductor.
 Step4. Use the MODE button to select the "ACW/DCW/PF" mode.



NOTE :

- In AutoSense mode, The meter will displays ACW/DCW depends on if there has AC requeryency been detected.

Active power sign :

(The current direction must the same as the figure.)

No sign : Indicates the power flows from the power source to the load.

"_" sign : Indicates the power flows from the load to the power source.

Power factor sign :

No sign : The phase of the current signal is lagging behind the voltage signal (inductive load).

"_" sign : The phase of the current signal is leading the voltage signal (capacitive load).

Overrange display :

OL.U : Voltage overload

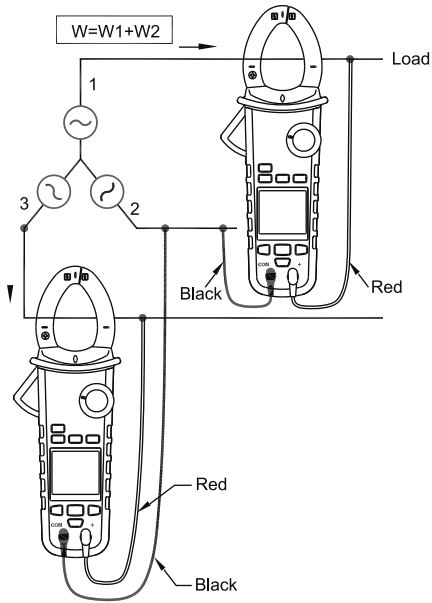
OL.A : Current overload

± OL kW : Active Power > 1050 kW or < -1050 kW.

2.Three Phase Power Measurement

a. 3 phase 3 wire balanced / unbalanced

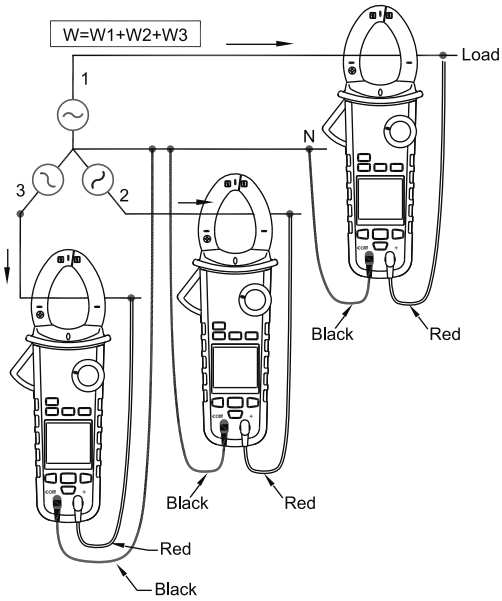
- Step1. Set the rotary switch to the "W" position
 Step2. Using the MODE button to choose the ACW mode.



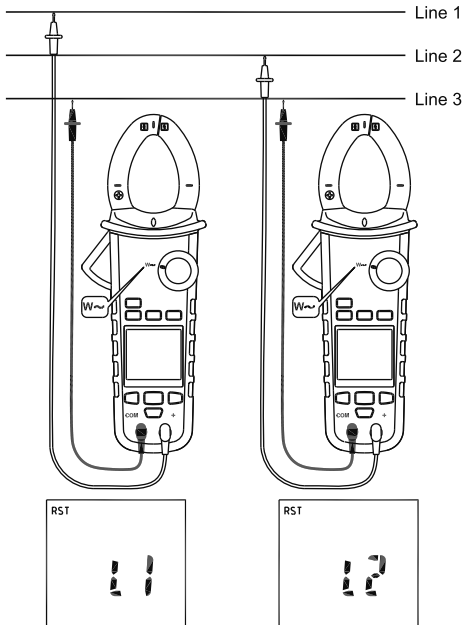
b. 3 phase 4 wire balanced / unbalanced

Step1. Set the rotary switch to the "W" position

Step2. Using the MODE button to choose the ACW mode .



Phase Rotation

**NOTE :**

- Connect the supposed three phase of power source as shown above.
- The test is only available while the system frequency is stable.

Step 1. Set the rotary switch to the "W" position.

Step 2. Using the MODE button to choose the "RST" mode

Step 3. Connect the Red test lead to the supposed phase Line 1, and the Black test lead to the supposed phase Line 3.

a. if volt > 1050V, it will display "OLU" and flash; if volt < 30V, it will display "LoU"

b. If the frequency > 65Hz or < 45Hz, it will display "outF" and flash.

c. If it is normal, then it will display "L1" for about 3 sec.

Step 4. If it displays "L2", then BUZZER will be sound for twice. Please switch the Red test lead to connect to the supposed phase Line 2 immediately before the "L2" is disappeared.

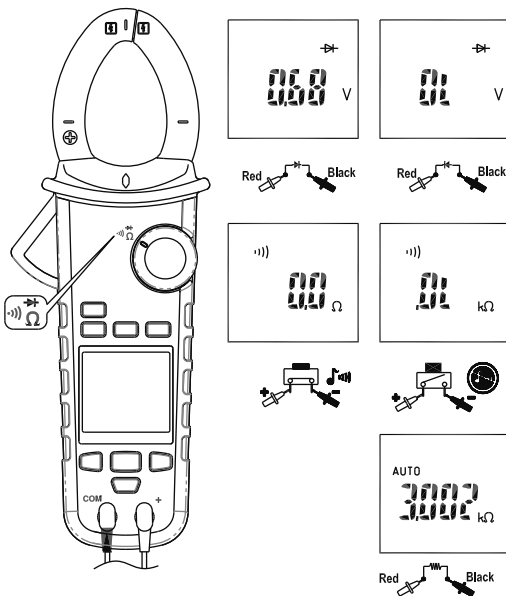
Step 5. When "L2" is disappeared, it will display the testing result.



- If it displays "1 2 3", then the phase sequence is forward sequence, which means the supposed phase Line 1 is ahead of the supposed phase Line 2.
- If it displays "3 2 1", then the phase sequence is reversed sequence, which means the supposed phase Line 2 is ahead of the supposed phase Line 1.
- "----" means that the meter is unable to determine the results.
- If displays "LoU", it is possible that you remove the test leads before completing the whole testing procedures.

Step 6 : To repeat the test, press the OK button again.

OHM Measurement



⚠ CAUTION

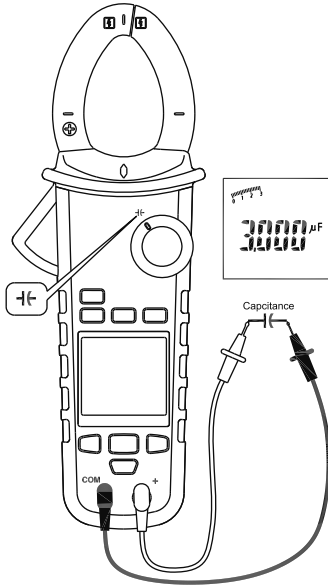
To avoid possible damage to the Meter or to the equipment under test, disconnect circuit power and discharge all high-voltage capacitors before measuring resistance and diode.

Note :

- Press MODE button to select the "Ω", "kΩ" or "MΩ" mode.
- The red LED will turn on, if the resistance of DUT is < 30Ω.

Measuring Capacitance

Set the rotary switch to the "⌚" position.



⚠ CAUTION

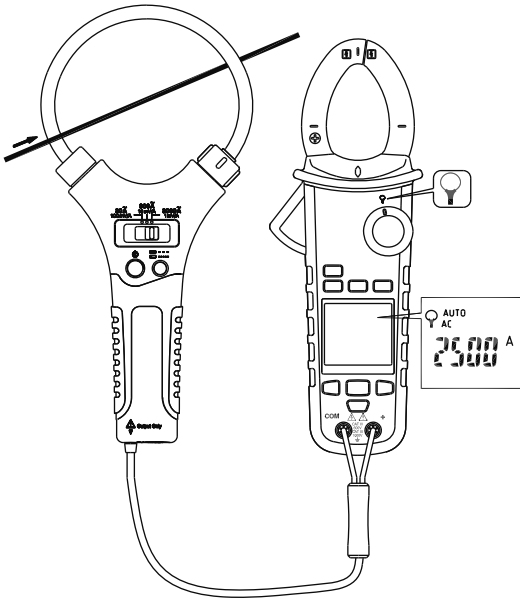
To avoid possible damage to the meter or to the equipment under test, disconnect circuit power and discharge all high-voltage capacitors before measuring capacitance. Use the DC voltage function to confirm that the capacitor discharged.

Note :

- The meter will display "diSC" while discharging the capacitor.

Measuring Current with Flex Clamp Meter

Set the rotary switch to the "⚡" position. Keep the range of Flex Clamp meter which has 3000A/3V output ratio.

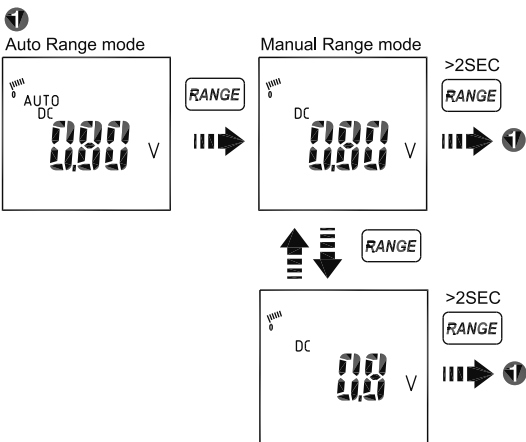


Note :

- Please follow the above illustrated instruction and measure a known current to make sure that the connection between two meters is correct.

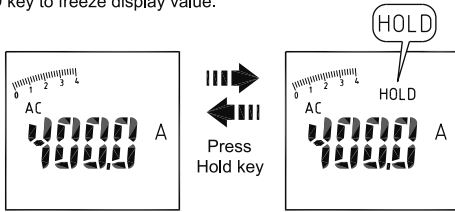
Other Function :

AUTO/MANUAL RANGE



HOLD Key

Press HOLD key to freeze display value.



SMART HOLD : The meter will beep continuously and the display will flash if the measured signal is larger than the display reading. (for V, A, W, and Flex AC current function)

MEM mode

When measuring, you can save the reading to memory and load it from memory. The meter can store maximum 1000 data in memory.

To enter MEM mode, use Arrow keys to select MEM icon, and press OK button. In this mode, you can operate the following options:

Use Arrow keys to select the following icons.	
A-SAVE (Auto -Save)	You can operate the A-SAVE mode to automatically save new reading. When you use the probes to measure a new reading, the meter will automatically save it. In some case, the A-SAVE mode will not work. For example, the reading is smaller than the A-SAVE limit , or the reading is OL. Press OK button to enter/exit A-Save mode. Press RANGE button to display the recorded data amount /currently measured value.
SAVE	Press OK button to enter SAVE mode. Press OK button to save a new reading to memory. Press RANGE button to display the recorded data amount /currently measured value. Press OK button for more than 2sec to exit the mode.
LOAD	Press OK button to enter/exit LOAD mode. Press LEFT or RIGHT button to select data. Press RANGE button to select data index/recorded value.
CLR	Press OK button to enter CLR mode. Press OK button to delete all data in memory. Press OK button for more than 2sec to exit this mode.
MMA (MAX/MIN)	MMA mode is only valid when A-Save mode has executed and finished. Press OK button to enter MMA mode. Press OK button to display the maximum/minimum value . Press OK button for more than 2sec to exit this mode.

To exit MEM mode, use Arrow keys to select MEM icon and press OK button.

A-Save limit.

Function	Limit
V, A, W, Flex A, Cap	5% of range
Hz	10% of 100Hz range 5% of 1k/10k Hz range

LOG mode

You can record a lot of reading to memory in a long time, then analyze and plot graph. The meter can store maximum 9999 data in memory. The record rate can be set from 1 sec to 600 sec. The error of timer is less than 3 seconds per hour.

To enter LOG mode, use Arrow keys to select LOG icon, and press OK button to enter.

In this mode, you can operate the following options :

Use Arrow keys to select the following icons.	
SAVE	Press OK button to start data logger. The logger automatically records at regular intervals. To stop data logger, press OK button to return.
LOAD	Press OK button to review data from memory. Press LEFT or RIGHT button to select data. Press RANGE button to select data index/recorded value. Press OK button to return.
RATE	Press OK button to setup the record rate of logger. Press LEFT or RIGHT button to select rate. Press OK button to return.

To exit LOG mode, select LOG icon, and press OK button.



The meter uses low-power (BLE) v4.0 wireless technology to transfer the real-time data. You can use the RF communication to link to android or apple devices.

The RF communication range : Open air up to 10 m.

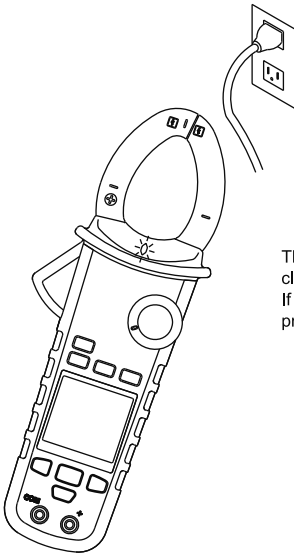
This function is invalid for INRUSH / Phase Rotation.

VoltSeek :

The red diamond shape of LED will illuminate, If there has electric field been detected from the jaw.

Note :

- This function is invalid for OHM, Capacitance, INRUSH, and Phase Rotation.

**Caution**

The light indicator turns on while the clamp tips are close to an electric field. If no indication, voltage could still be present.

Buzzer

The Meter beeps once for every valid key-press, and beeps twice for every invalid key-press.

Power-up options: Press one of the following buttons while tuning meter on from OFF position.

UP/DOWN button : Display of the software version.

OK button : Disable auto power off. The display shows "AoFF".

LEFT button : Disable active backlight. The display shows "LoFF".

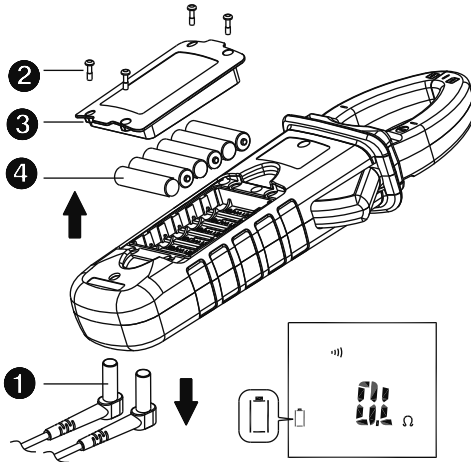
HOLD BUTTON : Display all LCD symbols approx 10sec.

Battery State display

User can know the battery state from the battery indicator.

Batter State	Description
	The battery is full charged
	The battery is remained 2/3 power
	The battery is remained 1/3 power
	Replace the battery as soon as the low battery indicator blinks to avoid inaccurate reading.

Battery Replacement



⚠ Caution

Remove test leads from Meter before opening the battery cover or Meter case.

Specifications

General Specifications

Overload protection : 1000 Vrms
600 Arms

Display count : 10000 or 4000

Measuring rate : 3 times / sec.

Overrange display : "OL" or "-OL" .

Auto Power Off : Approx 15 minutes.

Power requirement : 6×1.5 V AAA alkaline batteries.

Battery life : 50 hours (without Backlight).

Dimensions : 103mm(W) x 243mm(L) x 55mm(D)

Weight : approx. 540g (with battery)

Environmental Conditions

Indoor Use.

Calibration : One year calibration cycle.

Operating temperature : 0 °C ~ 10 °C

10 °C ~ 30 °C (≤80% RH)

30 °C ~ 40 °C (≤75% RH)

40 °C ~ 50 °C (≤45%RH)

Storage temperature : -10 to 50 °C

0 to 80% RH (batteries not fitted).

Temperature coefficient : 0.2 x (Specified accuracy) / °C, < 18°C, > 28°C .

Over voltage category : IEC 61010-1 600V CAT.IV.

1000V CAT.III.

IEC 61010-2-032, IEC 61010-2-033

CAT Application field

II	The circuits directly connected to Low-voltage installation.
III	The building installation.
IV	The source of the Low-voltage installation.

Operating altitude : 2000m (6562 ft)**Conductor Size** : 33mm diameter**Pollution degree** : 2**EMC** : EN 61326-1**Shock Vibration**: Per MIL-PRF-28800F for a Class 2 instrument.**Drop Protection** : 4 feet drop to hardwood on concrete floor.

Electrical Specifications

Accuracy is \pm (% reading + number of digits) at 23°C \pm 5°C < 80%RH. Accuracy is specified for a period of one year after calibration.

(1) Voltage

Function	Range	Accuracy*
DCV	99.99V	\pm (0.7% + 2dgt)
	999.9V	
ACV	99.99V	\pm (1.0% + 5dgt) 50 ~ 500Hz
	999.9V	
HFR ACV	99.99V	50 ~ 60Hz \pm (1% + 5dgt) >60 ~ 400Hz \pm (5% + 5dgt)
	999.9V	

* DCV <1000dgt, add 6 dgt to the accuracy.

ACV <1000dgt, add 3 dgt to the accuracy.

Input Impedance : 3.5M Ω // <100pF

AC Conversion Type : AC Conversions are ac-coupled, true RMS responding, calibrated to the RMS value of a sine wave input. Accuracies are given for sine wave at full scale and non-sine wave below half scale. For non-sine wave (50/60Hz) add the following Crest Factor corrections:

For Crest Factor of 1.4 to 2.0, add 1.0% to accuracy.

For Crest Factor of 2.0 to 2.5, add 2.5% to accuracy.

For Crest Factor of 2.5 to 3.0, add 4.0% to accuracy.

CF 3 @ 280A

2 @ 420A

AC+DC Vrms Accuracy : same as ACV spec. +DCV spec.

(2) Current

Function	Range	Accuracy
ACA	99.99A	50 ~ 60Hz \pm (1.5% + 5dgt) >60 ~ 400Hz \pm (2% + 5dgt)
	599.9A	
HFR ACA	0.10A ~ 99.99A	50 ~ 60Hz \pm (1.5% + 5dgt) >60 ~ 400Hz \pm (5% + 5dgt)
	599.9A	

The measured value <1000dgt, add 5 dgt to the accuracy.

Position Error : $\pm 1\%$ of reading.

AC Conversion Type and additional accuracy is same as AC Voltage.

- For better measurement accuracy of high current and the constraint of temperature increasing of maximum range 600A AC, do not measurement more than 10 minutes. And the rest time has to wait at least 30 minutes in between every measurements.

(3) Peak Hold : Peak MAX / Peak MIN

Function	Range	Accuracy
ACV	140.0V	$\pm (3.0\% + 15\text{dgt})$
	1400V	
ACA	140.0A	$\pm (3.0\% + 15\text{dgt})$
	850A	

Accuracy defined for : Sine wave, ACV>5Vrms / ACA \geq 5Arms, Freq.50~400Hz.

– For square wave, the accuracy is unspecified.

– Only suitable for the repetitive events.

(4) Frequency

Function	Range	Accuracy
Frequency	20.00 ~ 99.99Hz	$\pm (0.5\% + 3\text{dgt})$
	20.0 ~ 999.9Hz	
	0.020 ~ 9.999KHz	

Sensitivity : 10~100Vrms for AC 100V range

10~100Arms for AC 100A range (>400Hz Unspecified)

100~1000Vrms for AC 1000V range

100~600Arms for AC 600A range

(>400Hz Unspecified)

- Reading will be 0.0 for signals below 10.0 Hz.

(5) Total Harmonic Distortion :

Function	Range	Accuracy
ACA /ACV	99.9%	$\pm (3.0\% + 10\text{dgt})$

Harmonic distortion measurement :

Harmonic order	Range	Accuracy
H01 ~ H12	99.9%	$\pm (5\% + 10\text{dgt})$
H13 ~ H25		$\pm (10\% + 10\text{dgt})$

– If ACV<10Vrms or ACA <10Arms, it will display "rdy".

– If the fundamental frequency out of range 45 ~ 65Hz, it will display "out.F".

(6) Inrush Current :

Function	Range	Accuracy
ACA	99.99A	$\pm (2.5\% + 0.2A)$
	599.9A	$\pm (2.5\% + 5dgt)$

Accuracy defined for : Sine wave, Freq. 50/60Hz
- Integration time about 100m sec

Trigger level of INRUSH : 1Arms for 100A range
10Arms for 600A range

(7)Active Power : Watt

Function	Range	Accuracy
ACW	9.999 kW*	$A_{error} \times V_{reading} + V_{error} \times A_{reading}$
	99.99 kW	
	599.9KW	

* The measured value < 1.000kW , add 10 dgt to the accuracy.

Accuracy defined for :

ACW : Sine wave , ACV ≥ 10 Vrms, ACA ≥ 5 Arms
Freq. 50~60Hz, PF=1.00

(8) Power Factor

Function	Range	Accuracy*
PF	1.00	$\pm 5dgt$

* ACA < 100A, add $\pm 3dgt$ to the accuracy

(9) Resistance & Continuity & Diode :

Function	Range	Accuracy
Resistance	999.9 Ω	$\pm (1.0\% + 5dgt)$
	9.999 k Ω	
	99.99 k Ω	
Continuity	999.9 Ω	$\pm (1.0\% + 5dgt)$
Diode	0.40~ 0.80V	$\pm 0.1V$

Max. Test Current : Approx. 0.5mA.

Maximum Open Circuit Voltage for Ω , Ω : Approximate 3V

Maximum Open Circuit Voltage for diode : Approximate 1.8V

Continuity Threshold : < 30 Ω Beep On.

> 100 Ω Beep OFF.

Continuity Indicator : 2 KHz Tone Buzzer

Continuity response time : < 100ms.

(10) Capacitance :

Function	Range	Accuracy
Capacitance	3.999 μ F	$\pm (1.9\% + 8\text{dgt})$
	39.99 μ F	
	399.9 μ F	
	3999 μ F	

(11) Flex AC Current (voltage input):

Function	Range(1mV/1A)	Accuracy*
ACA	300.0A/3000A	$\pm(1\%+5\text{dgt})$ (50~500Hz)**
HFR ACA	300.0A/3000A	$\pm(1\%+5\text{dgt})$ (50~60Hz)** $\pm(5\%+5\text{dgt})$ (61~400Hz)**
Peak	420.0A/4200A	$\pm(3\%+80\text{dgt})$ (50~500Hz)
INRUSH	300.0A/3000A	$\pm(2\%+10\text{dgt})$ (50/60Hz)
Frequency	99.99Hz/999.9Hz	$\pm (0.5\%+3\text{dgt})$ (<500Hz)
THD	99.9%	$\pm(5\%+10\text{dgt})$
Harm H01 -H12	99.9%	$\pm(5\%+10\text{dgt})$

* The accuracy dose not includ FLEX clamp meter.

** ACA <300dgt, add 3 dgt to the accuracy.

– If ACA <30Arms, it will display “rdy” in Harmonic mode.
Trigger level of INRUSH : 1% of current range.

Información de seguridad

Comprenda y siga cuidadosamente las instrucciones de funcionamiento.

ADVERTENCIA

Identifique situaciones de peligro que pudieran causar **DAÑO CORPORAL o MUERTE**.








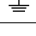
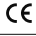


- Cuando utilice puntas de prueba o sondas, mantenga los dedos detrás de los protectores de mano.
- Debe utilizar un dispositivo de protección individual si hay piezas con carga peligrosa CACESIBLES en la instalación en la que se va a realizar la medición.
- Retire el cable de prueba del medidor antes de abrir la tapa de la pila o la carcasa del medidor.
- Utilizar el medidor solo según lo especificado en este manual, de lo contrario la protección proporcionada por el medidor podría verse mermada.
- Utilice siempre los bornes adecuados, así como la posición del comuntador y rango para mediciones correctos.
- Verifique el funcionamiento del medidor midiendo un tensión conocida. En caso de duda, mande el medidor a reparar.
- No aplique más de la tensión nominal, según marca el medidor, entre bornes o entre cualquier borne y tierra firme.
- Tenga cuidado con las tensiones por encima de 30VCA rms, 42VCA pico o $\pm 30VCC$. Estas tensiones representan un peligro de electrocución.
- Para evitar lecturas erróneas que pueden provocar descargas eléctricas y lesiones, reemplace la pila según parpadee el indicador de pila baja.
- Desconecte la alimentación del circuito y descargue todos los capacitores de alta tensión antes de probar la resistencia, continuidad, diodos o capacitancia.
- No opere el medidor alrededor de gases explosivos, vapor o polvo.
- Para reducir el riesgo de incendio o descarga eléctrica no exponga este producto a la lluvia o la humedad.
- Los conjuntos de sondas que se utilizarán para mediciones de la RED deberán tener la clasificación adecuada para la CATEGORÍA DE MEDICIÓN III o IV según EN 61010-031 y tendrán una clasificación de tensión de, al menos, la tensión del circuito a medir.

PRECAUCIÓN


Esta señal indica que hay situación de peligro que podría **DAÑAR** el medidor o el equipo que se está probando.

- Desconecte las puntas de prueba de los puntos de prueba antes de cambiar la posición del dial de función.
- Nunca conecte una fuente de tensión si el dial está en la posición Ω , H .
- No lo exponga a temperaturas extremas o humedad alta.
- Nunca ponga el medidor en la de función Ω , H para medir la tensión de un circuito de fuente de alimentación ya que podría dañar el medidor y el equipo a prueba.

Símbolos según se encuentran en el medidor y manual de instrucciones

	Riesgo de descarga eléctrica		Consulte el manual de instrucciones
	Medición CC		Medición CA
	Corriente continua y alterna		Pila
	Equipos protegidos por aislamiento doble o reforzado		Tierra
			Se ajusta a las directivas de la UE
	Está permitido su uso alrededor de conductores con tensiones peligrosas activas así como su eliminación.		No deseche este producto ni tire.

Tensión insegura

Para alertarle de la presencia de una tensión potencialmente peligrosa, cuando el Probador detecta una tensión >30 V o una sobrecarga de tensión (OL) en V. Se muestra el símbolo .

Mantenimiento

No intente reparar este medidor. No contiene piezas que puedan ser reparadas por el usuario. Todas las reparaciones o revisiones deben ser realizadas únicamente por personal cualificado.

Limpieza

Limpie periódicamente la carcasa con un paño seco y detergente. No utilice abrasivos ni disolventes.

Características

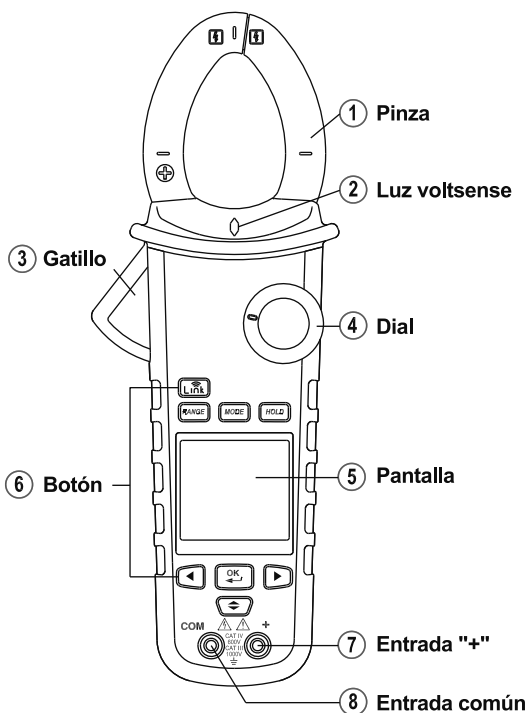
- Pantalla digital de 10000 unidades
- Pantalla amplia con retroiluminación activa
- VoltSeek (Ninguna, tensión de contacto)
- Gráfico de barras analógico
- Medición de RMS verdadero en modo CA y CA+CC
- Guarda/carga en la memoria (hasta 1000 datos)
- Registrador de datos (hasta 9999)
- Transmisión inalámbrica de datos
- Iluminación con linterna al usar la pinza
- Medición y selección automática CA/CC 1000 Voltios
- Capacidad de resistencia 100K
- Zumbador de continuidad
- Contador de frecuencia
- Medición del factor de potencia
- Distorsión armónica total y armónicos 1 a 25
- Medición de capacitancia
- Corriente de irrupción
- Retención de pico
- RETENCIÓN MÍNIMA/MÁXIMA
- Retención inteligente de datos
- Indicación de rotación de fase
- Sonda flexible de corriente CA
- Rechazo de alta frecuencia
- Apagado automático
- CAT. Norma de seguridad IV 600V / CAT. III 1000V

Desembalaje e inspección

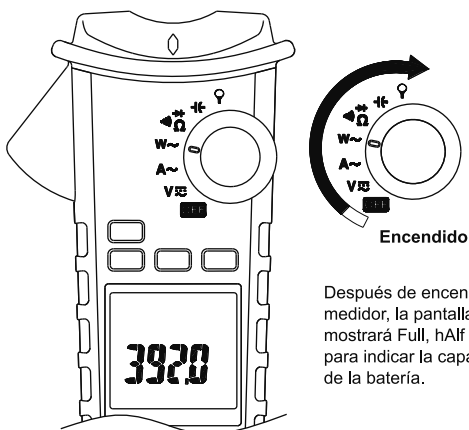
Al retirar de su embalaje su nueva Pinza Amperimétrica de Potencia, debería tener los siguientes elementos:

1. Pinza Amperimétrica de Potencia
2. Conjunto de puntas de prueba (una negra, una roja)
3. Manual del usuario
4. Maletín de transporte
5. Pila

Descripción del medidor

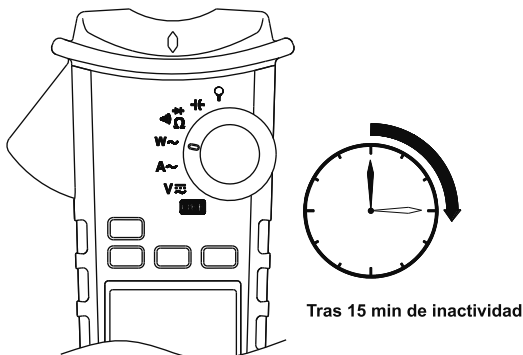


Encendido / Apagado



Después de encender el medidor, la pantalla LCD mostrará Full, hAlf y Lo para indicar la capacidad de la batería.

Apagado automático

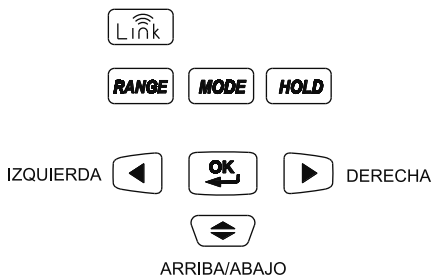


El medidor vuelve a funcionar si se enciende desde la posición OFF.

Desactivar el apagado automático (APO)

Presione el botón OK mientras gira el dial desde la posición OFF.

Botones



Operación del menú

MMA Hz HFR W~ A~ V~ MEM LOG
A-SAVE SAVE LOAD CLR RATE

Ejemplo

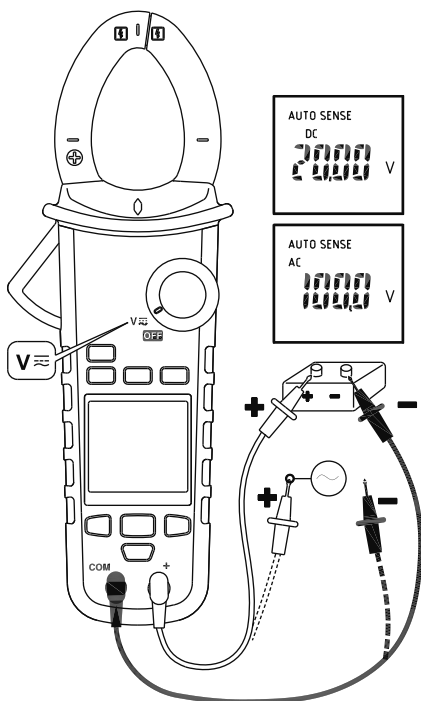
	Utilice las teclas de dirección para mover el cursor parpadeante hacia el icono deseado y, a continuación, presione el botón OK
	Utilice las teclas de dirección para mover el cursor parpadeante hacia el icono deseado y, a continuación, presione el botón OK durante más de 2 segundos.
MMA	Si el icono no está subrayado significa que la función no se ejecutará.
<u>MMA</u>	El icono subrayado significa que se ejecutará la función.

Hacer mediciones básicas

Preparación y precaución antes de medir
⚠️ : **Cumpla las reglas de** ⚠️ Advertencias y ⚠️ Precauciones. Las figuras en las páginas siguientes muestran cómo hacer mediciones básicas.

Al conectar las puntas de prueba al dispositivo a prueba (DAP), conecte la punta de prueba común antes de conectar la punta con electricidad; al quitar la puntas de prueba, quite la punta con electricidad antes de retirar la punta de prueba común.

Medición de tensión

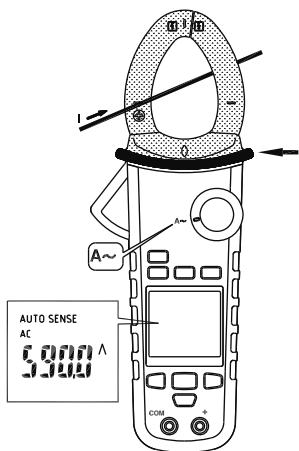


⚠️ Advertencia

Para evitar descargas eléctricas, peligros o daños en el medidor, no intente hacer mediciones que puedan exceder los 1000 V CC o CA RMS. No aplique más de 1000 V CC o CA RMS entre el borne de entrada común y tierra.

Nota - Si la tensión medida es mayor a 30 V CC o CA RMS, la pantalla mostrará el símbolo " ⚡ ".

Medición de corriente

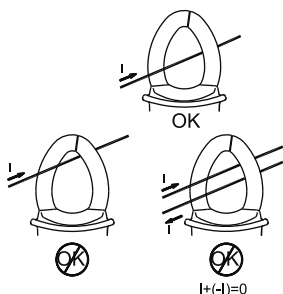


CAT.IV.600V
CAT. m.1000V
con respecto a la tierra para la pinza.
Barrera táctil para proteger las
manos.



No sujete el medidor más allá de
la barrera táctil.

- No pince ningún conductor mientras el medidor está encendido.
- Iluminación con linterna al usar la pinza.



Modo SENSE AUTO:

Muestra el resultado de la medición en CA con RMS o CC, dependiendo del que sea mayor.

Modo CA: CA solo con valor RMS.

Modo CC: Valor CC.

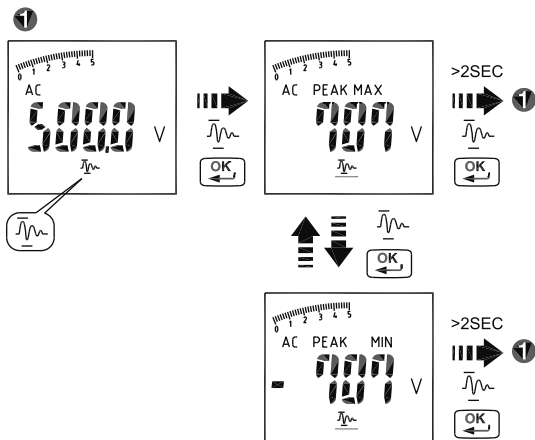
Modo CA+CC: Valor CA+CC RMS.

Nota

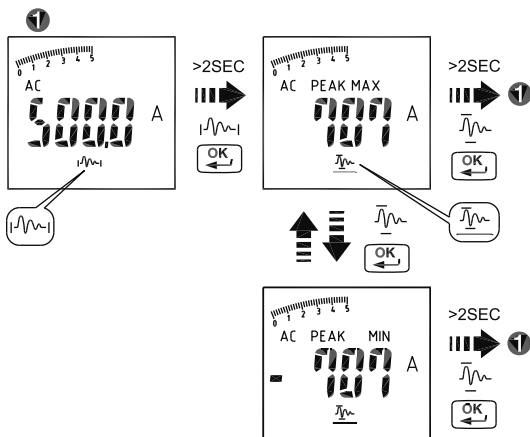
- Presione la tecla MODO para entrar en el modo CA/CC/CA+CC.
- Pulse el botón MODO durante más de 2 segundos para volver al modo AUTO SENSE.

RETENCIÓN DE PICO \overline{f} (solo modo CA)

Modo CAV



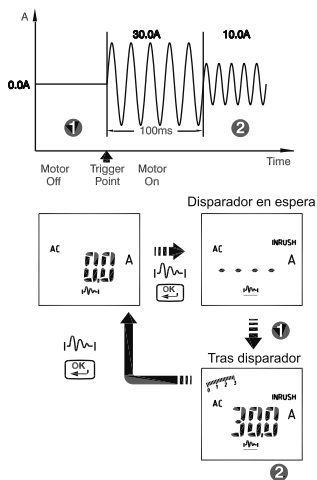
Modo CAA



En el modo RETENCIÓN DE PICO, el medidor se activa para guardar el valor máximo positivo y el valor máximo negativo. El valor máximo positivo se muestra en el modo PICO MÁX. El valor máximo negativo se muestra en el modo PICO MÍN.

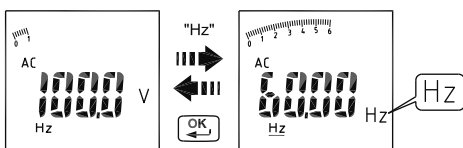
Corriente de entrada \bar{I}_m : (Solo modo CA)

Si la corriente de irrupción que se está probando es mayor a 100A CA, seleccione el rango de 600A antes de activar la corriente de irrupción.



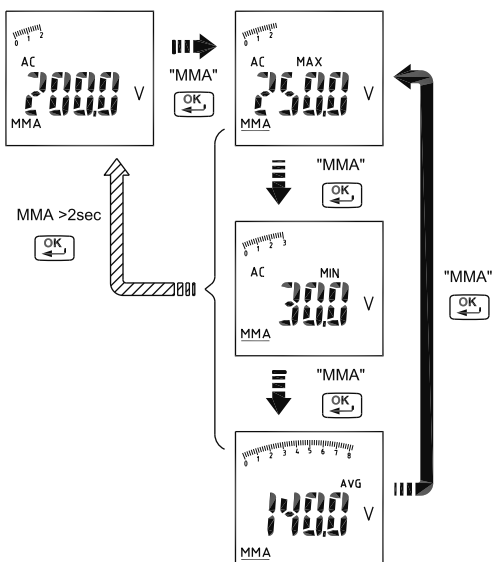
Medición De Frecuencia (Solo modo CA)

Seleccione el indicador "Hz" y luego presione el botón OK para entrar/salir del modo de medición de frecuencia.



MAX/MIN/AVG

El modo MAX/MIN/AVG registra los valores de entrada mínimo y máximo. Cuando hay un valor inferior al mínimo de registro o superior al valor máximo de registro, el medidor registra el nuevo valor. El modo MAX/MIN/AVG también puede calcular el promedio de lectura.



NOTA:

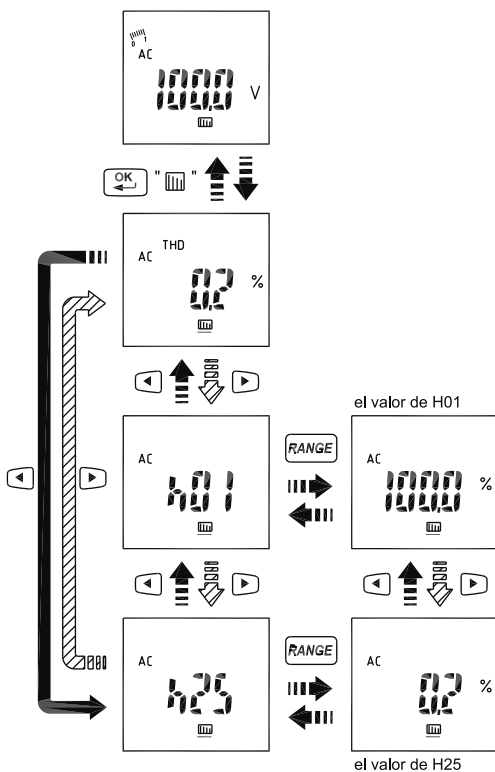
- Pulse la tecla HOLD en el modo MAX/MIN/AVG para que el medidor deje de actualizar los valores máximo, mínimo y medio. Cuando se use el modo HOLD dentro del modo MAX/MIN/AVG, debe salirse antes del modo MAX/MIN/AVG.

Medición armónica (solo modo CA)

$THD-F = \text{RMS de Armónicos} + \text{RMS de fundamentales} \times 100\%$
(armónicos hasta el 25°)

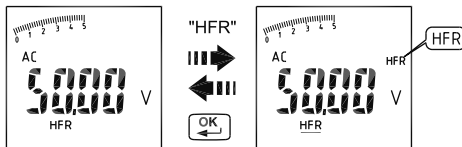
$H_n = \text{RMS de Armónico Individual} + \text{RMS de fundamental} \times 100\%$

Pulse el botón RANGE para mostrar el orden armónico o el valor del armónico (unidad: %).



HFR (solo modo CA)

Seleccione el indicador "HFR" y luego presione el botón OK para eliminar el ruido de alta frecuencia.



NOTA:

El modo de retención de pico, irrupción, HZ, armónicos y HFR solo están disponibles en modo CA.

Medición de potencia activa(W)/Factor de potencia(PF)

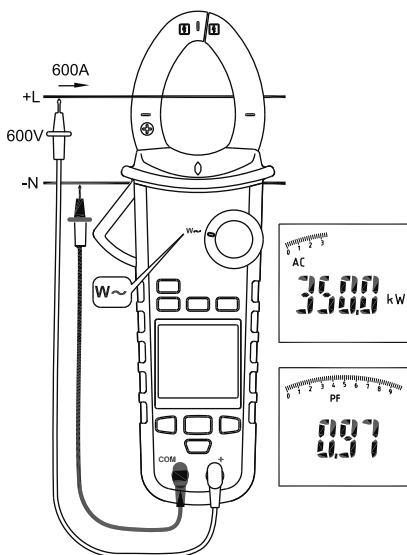
1. Medición de potencia monofásica

Paso 1. Coloque el dial en la posición "W".

Paso 2. Conecte la punta de prueba roja a L, y la punta de prueba negra a N.

Paso 3. Presione el gatillo para abrir las mordazas del transformador y pince un solo conductor, asegúrese de que la mordaza esté firmemente cerrada alrededor del conductor.

Paso 4. Utilice el botón MODO para seleccionar el modo



NOTA:

- En el modo AutoSense, el medidor mostrará CAW /CCW dependiendo de si se ha detectado frecuencia de CA.

Señal de encendido activa:

(La dirección de la corriente debe ser la misma que en la figura).

Ningún signo: Indica los flujos de energía de la fuente de alimentación a la carga.

Signo " _ ": Indica los flujos de energía de la carga a la fuente de alimentación.

Signo del factor de potencia:

Ningún signo: La fase de la señal de corriente se está quedando atrás de la señal de tensión (carga inductiva).

Signo " _ ": La fase de la señal de corriente está por delante de la señal de tensión (carga capacitiva).

Pantalla de sobrerango:

OL.U: Sobrecarga de tensión

OL.A: Sobrecarga de corriente

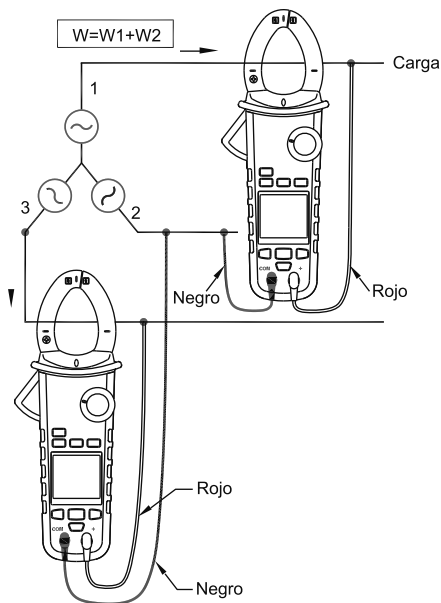
± OL kW: Potencia Activa > 1050 kW o < -1050 kW.

2. Medición de potencia trifásica

a. Trifásica, 3 hilos equilibrada/desequilibrada.

Paso 1. Coloque el dial en la posición "W".

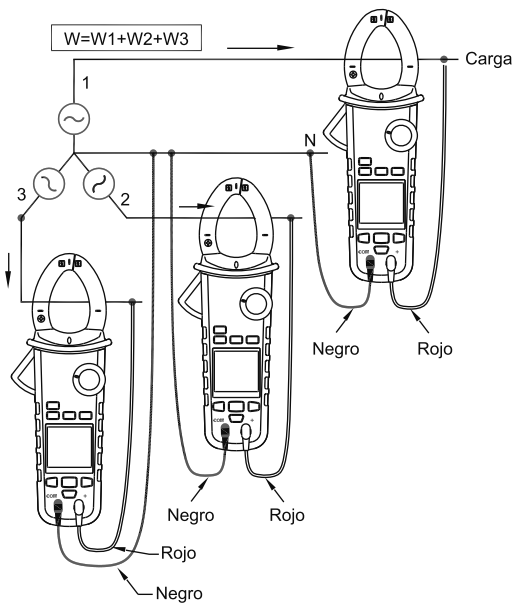
Paso 2. Use del botón MODO para elegir el modo CAW.



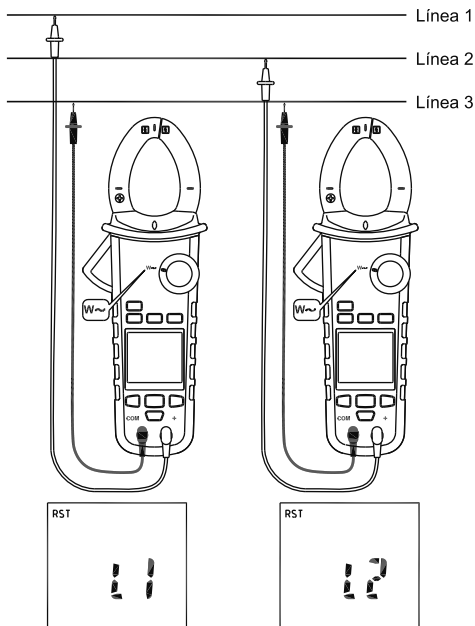
b. Trifásica, 4 hilos equilibrada/desequilibrada.

Paso 1. Coloque el dial en la posición "W".

Paso 2. Use del botón MODO para elegir el modo CAW.



Rotación de fase

**NOTA:**

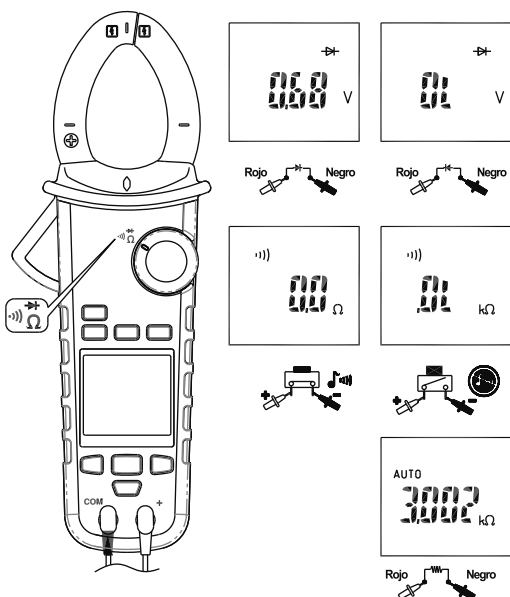
- Conecte la fuente de alimentación trifásica como se muestra arriba.
 - La prueba solo está disponible mientras la frecuencia del sistema es estable.
- Paso 1. Coloque el dial en la posición "W".
- Paso 2. Use del botón MODO para elegir el modo RST.
- Paso 3. Conecte la punta de prueba roja a la fase Línea 1, y la punta de prueba negra a la fase Línea 3.
- a. si volt > 1050V, mostrará "OLU" y parpadeará; si volt <30V, mostrará "LoU"
 - b. Si la frecuencia > 65Hz o < 45Hz, mostrará "outF" y parpadeará.
 - c. Si es normal, entonces mostrará "L1" durante aproximadamente 3 segundos.
- Paso 4. Si muestra "L2", entonces pitará dos veces. Por favor, cambie la punta de prueba roja para conectarse a la fase de Línea 2 inmediatamente antes de que "L2" desaparezca.
- Paso 5. Cuando "L2" desaparezca, mostrará el resultado de la prueba.



- Si muestra " 1 2 3 ", entonces la secuencia de fase está adelantada, lo que significa que la supuesta fase Línea 1 está por delante de la supuesta fase Línea 2.
- Si muestra " 3 2 1 ", entonces la secuencia de fase está invertida, lo que significa que la supuesta fase Línea 2 está por delante de la supuesta fase Línea 1.
- "--" significa que el medidor no puede determinar los resultados.
- Si muestra "LoU", es posible que retirara las puntas de prueba antes de completar todos los procedimientos de prueba.

Paso 6: Para repetir la prueba, presione OK otra vez.

Medición de OHM



PRECAUCIÓN

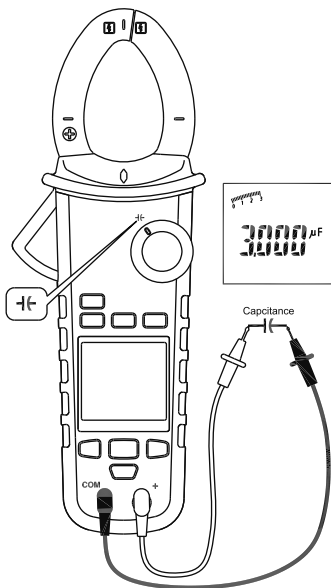
Para evitar daños en el multímetro o en los equipos sometidos a prueba, desconectar la alimentación del circuito y descargar todos los condensadores de alta tensión antes de medir la resistencia y diodo.

Nota:

- Pulse el botón MODO para seleccionar el modo Ω , kHz o V .
- El LED rojo se encenderá, si la resistencia de DAP es de $< 30 \Omega$.

Medición de capacitancia

Coloque el dial en la posición ⌚ .



PRECAUCIÓN

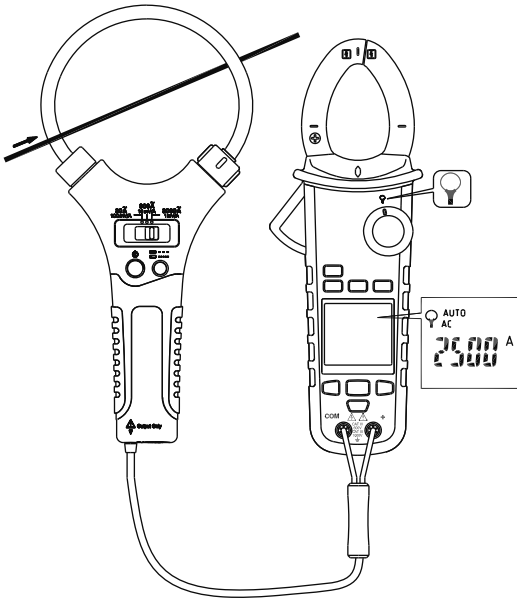
Para evitar daños en el multímetro o en los equipos sometidos a prueba, desconectar la alimentación del circuito y descargar todos los condensadores de alta tensión antes de medir la capacitancia. Utilice la función de tensión de CC para confirmar que el condensador está descargado.

Nota - El multímetro mostrará "diSC" mientras descarga el condensador.

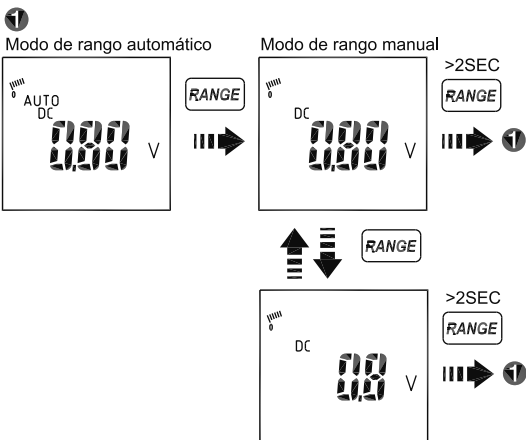
Medir la corriente con pinza amperimétrica flex

Coloque el dial en la posición ⌚ .

Mantenga el rango de la pinza amperimétrica flex que tiene una relación de salida de 3000A/3V.

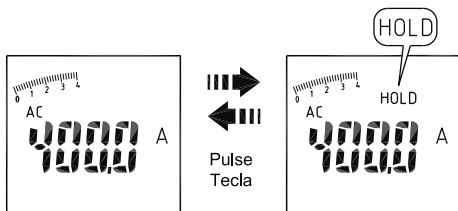
**Nota:**

Por favor, siga las anteriores instrucciones ilustradas y mida una corriente conocida para asegurarse de que la conexión entre dos multímetros es correcta.

Otra función:**RANGO AUTOMÁTICO/MANUAL**

Tecla RETENER

Presione la tecla RETENER para congelar el valor de visualización.



RETENCIÓN INTELIGENTE: El multímetro pitará continuamente y la pantalla parpadeará si la señal medida es mayor que la lectura de la pantalla. (para la función de corriente V, A, W y Flex CA)

Modo MEM

Al medir, puede guardar la lectura en la memoria y cargarla después. El medidor puede almacenar un máximo de 1000 datos en la memoria.

Para entrar en el modo MEM, utilice las teclas de dirección y seleccione el icono MEM y pulse el botón OK.

En este modo, puede utilizar las siguientes opciones:

Utilice las teclas de dirección para seleccionar los siguientes iconos.	
GUARDAR-A (Guardado automático)	Puede utilizar el modo GUARDAR-A para guardar automáticamente la nueva lectura. Cuando se utilizan las sondas para hacer una nueva lectura, el multímetro la guardará automáticamente. En algunos casos, el modo GUARDAR-A no funcionará. Por ejemplo, si la lectura es menor que el límite GUARDAR-A, o la lectura es OL. Pulse el botón OK para entrar/salir del modo GUARDAR-A. Presione el botón RANGO para mostrar la cantidad de datos registrada/valor medido actualmente.
GUARDAR	Pulsa el botón para entrar en el modo GUARDAR. Pulse el botón OK para guardar una nueva lectura en la memoria. Presione el botón RANGO para mostrar la cantidad de datos registrada/valor medido actualmente. Pulse el botón OK durante más de 2 segundos para salir.
CARGAR	Pulse el botón OK para entrar/salir del modo CARGAR. Pulse IZQUIERDA o DERECHA para seleccionar datos. Pulse el botón RANGO para seleccionar el índice de datos/valores registrados.
BORRAR	Pulsa el botón para entrar en el modo BORRAR. Pulse el botón OK para eliminar todos los datos en memoria. Pulse el botón OK durante más de 2 segundos para salir.
MMA (MÁX./MÍN.)	El modo MMA solo se podrá usar cuando el modo GUARDAR-A se haya ejecutado y finalizado. Pulsa el botón OK para entrar en el modo MMA. Pulsa el botón OK para mostrar el valor máximo/mínimo. Pulse el botón OK durante más de 2 segundos para salir.

Para salir del modo MEM, utilice las teclas de flecha para seleccionar el icono MEM y pulse el botón OK.

Límite de GUARDAR-A.

Función	Límite
V, A, W, Flex A, Cap	5% del rango
Hz	10% del rango de 100Hz 5% del rango de 1 k/10k Hz

Modo REG

Puede grabar una gran cantidad de lectura a la memoria en mucho tiempo, luego analizar y trazar el gráfico.

El medidor puede almacenar un máximo de 9999 datos en la memoria.

La tasa de registro se puede ajustar de 1 s a 600 s. El error del temporizador es inferior a 3 segundos por hora.

Para entrar en el modo REG, utilice las teclas de dirección y seleccione el icono REG y pulse el botón OK.

En este modo, puede utilizar las siguientes opciones:

Utilice las teclas de dirección para seleccionar los siguientes iconos.	
GUARDAR	Pulse el botón OK para iniciar el registrador de datos. El registrador graba automáticamente a intervalos regulares. Para detener el registrado de datos, presione el botón OK para volver.
CARGAR	Pulse el botón OK para revisar los datos de la memoria. Pulse IZQUIERDA o DERECHA para seleccionar datos. Pulse el botón RANGO para seleccionar el índice de datos/valor registrado. Pulse el botón OK para volver.
TASA	Pulse el botón OK para configurar la tasa de registro. Presione el botón IZQUIERDO o DERECHO para seleccionar la tasa. Pulse el botón OK para volver.

Para salir del modo REG, seleccione el icono REG y pulse el botón OK.



El medidor utiliza tecnología inalámbrica de baja potencia (BLE) v4.0 para transferir los datos en tiempo real. Puede utilizar la comunicación RF para vincularlo a dispositivos Android o Apple.

Rango de comunicación RF: Al aire libre hasta 10 m.

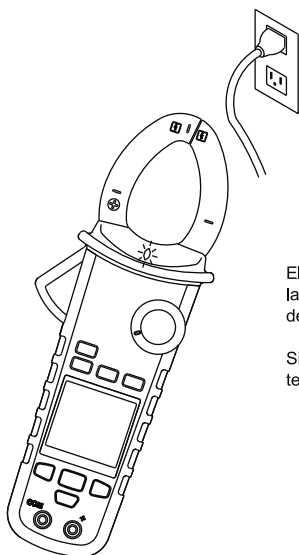
Esta función no funciona para IRRUPCIÓN/ Rotación de fase.

VoltSeek:

Se iluminará el LED rojo con forma de diamante si se ha detectado un campo eléctrico en la pinza.

Nota

- Esta función no funciona para OHM, Capacitancia, IRRUPCIÓN y Rotación de fase.



⚠ Precaución

El indicador luminoso se enciende si las puntas de las pinzas están cerca de un campo eléctrico.

Sin indicación es posible que haya tensión presente.

Zumbador

El medidor pita una vez por cada pulsación de tecla válida y dos veces por cada pulsación de tecla inválida.

Opciones de encendido:

Presione el botón uno de los botones siguientes mientras gira el dial desde la posición OFF.

Botón ARRIBA/ABAJO: Muestra la versión del software

Botón OK: Desactivar el apagado automático La pantalla muestra "AoFF".

Botón IZQUIERDO: Desactivar la retroiluminación activa. La pantalla muestra "LoFF".

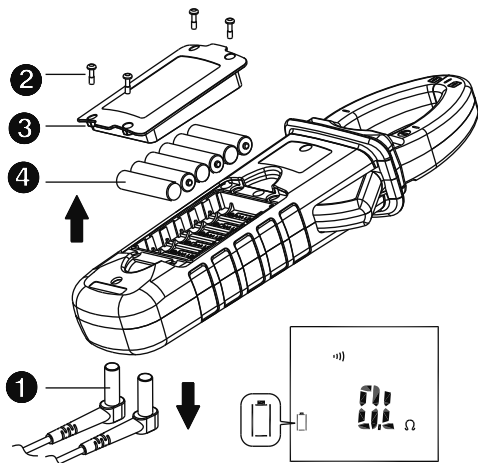
BOTÓN RETENER: Mostrar todos los símbolos del LCD 10 s. aprox.

Estado de la pila:

El usuario puede conocer el estado de la pila por su indicador.

Estado de la pila	Descripción
	Pila cargada por completo
	Pila cargada al 2/3
	Pila cargada al 1/3
	Reemplace las pilas tan pronto como aparezca el indicador de pilas bajas, para evitar lecturas erróneas.

Reemplazo de las pilas



Precaución

Retire el cable de prueba del medidor antes de abrir la tapa de la pila o la carcasa del medidor.

Especificaciones

Especificaciones generales

Protección contra sobrecargas: 1000 Vrms
600 Arms

Unidades en pantalla: 10000 o 4000

Intervalo de medición: 3 veces / seg.

Pantalla de sobrerango: "OL" o "-OL" .

Apagado automático: Aprox. 15 minutos.

Requisitos de alimentación: 6 pilas alcalinas AAA 1,5 V

Duración de las pilas: 50 horas (sin retroiluminación).

Dimensiones: 103 mm (AN) x 243 mm (L) x 55 mm (AL)

Peso: 540g aprox. con las pilas

Condiciones ambientales

Uso en interiores.

Calibración: Ciclo de calibración de un año.

Temperatura de funcionamiento:

0 °C ~ 10 °C

10 °C ~ 30 °C (¿80% HR)

30 °C ~ 40 °C (¿75% HR)

40 °C ~ 50 °C (¿45%HR)

Temperatura de almacenamiento: -10 a 50 °C

0 a 80% HR (pilas no instaladas).

Coefficiente de temperatura:

0,2 x (precisión especificada) / °C, < 18°C, > 28°C .

Categoría de sobretensión: IEC 61010-1 600V CAT. W.

CAT de 1000V. T.

IEC 61010-2-032, IEC 61010-2-033

CAT Campo de aplicación

N	Los circuitos se conectaron directamente a la instalación de baja tensión.
m	La instalación del edificio.
W	La fuente de la instalación de baja tensión.

Altitud de funcionamiento: 2000 m (6562 ft)

Tamaño del conductor: 33 mm de diámetro

Grado de contaminación: 2

EMC : EN 61326-1

Vibración/golpes:

Por MIL-PRF-28800F para un instrumento de Clase 2.

Protección contra caídas: 1,2 m a suelo de madera o cemento

Especificaciones eléctricas

La precisión es de \pm (% de lectura + número de dígitos) a $23\text{ }^{\circ}\text{C} \pm 5\text{ }^{\circ}\text{C} < 80\text{ } \% \text{ HR}$.
La precisión es válida para un período de un año después de la calibración.

(1) Tensión

Función	Rango	Precisión*
CCV	99,99 V	$\pm (0,7\% + 2\text{dgt})$
	999,9 V	
CAV	99,99 V	$\pm (1,0\% + 5\text{dgt})$ 50 ~500Hz
	999,9 V	
HFR CAV	99,99 V	50 ~ 60 Hz $\pm (1\% + 5\text{dgt})$ >60 ~ 400 Hz $\pm (5\% + 5\text{dgt})$
	999,9 V	

* CCV <1000dgt, añadir 6 dgt a la precisión.

CAV <1000dgt, añadir 3 dgt a la precisión.

Impedancia de entrada: $3,5\text{M}\Omega // <100\text{pF}$

Tipo de conversión de CA: La conversión de CA tiene acoplamiento CA, RMS verdadero, calibrado con el valor RMS efectivo de onda sinusoidal de entrada. Las precisiones se dan para la onda sinusoidal a escala completa y no sinusoidal por debajo de la media escala. Para la onda no senoidal (50/60Hz) agregue las siguientes correcciones de factor de cresta:

Para el factor de cresta de 1,4 a 2,0, añada del 1,0% a la precisión.

Para el factor de cresta de 2,0 a 2,5, añada del 2,5% a la precisión.

Para el factor de cresta de 2,5 a 3,0, añada del 4,0% a la precisión.

FC 3 a 280A

2 a 420A

Precisión CA+CC Vrms: igual que la especificación CAV+CCV.

(2) Corriente

Función	Rango	Precisión
ACA	99,99A	50 ~ 60 Hz $\pm (1,5\% + 5\text{dgt})$ >60 ~ 400 Hz $\pm (2\% + 5\text{dgt})$
	599,9A	
HFR ACA	0.10A ~ 99,99A	50 ~ 60 Hz $\pm (1,5\% + 5\text{dgt})$ >60 ~ 400 Hz $\pm (5\% + 5\text{dgt})$
	599,9A	

Si el valor medido <1000dgt, añadir 5 dgt a la precisión.

Error de posición: $\pm 1\%$ de la lectura.

El tipo de conversión de CA y la precisión adicional son los mismos que la tensión de CA.

— Para una mejor precisión al medir corriente alta y con el aumento de temperatura de rango máximo 600A CA, no mida más de 10 minutos.

Y debe dejarlo descansar y esperar al menos 30 minutos entre cada medición.

(3) Retención de pico: Pico MÁX / Pico MÍN

Función	Rango	Precisión
CAV	140,0 V	$\pm (3,0\% + 15\text{dgt})$
	1400 V	
A CA	140,0A	$\pm (3,0\% + 15\text{dgt})$
	850A	

Precisión definida para:

Onda sinusoidal, CAV>5Vrms / CAA -5Arms, Freq,50 ~ 400Hz.

— Para la onda cuadrada, la precisión no está especificada.

— Solo adecuado para eventos repetitivos.

(4) Frecuencia

Función	Rango	Precisión
Frecuencia	20,00 ~ 99,99 Hz	$\pm (0,5\% + 3\text{dgt})$
	20,0 ~ 999,9 Hz	
	0,020 ~ 9,999 KHz	

Sensibilidad:

10 ~ 100Vrms para el rango 100V CA

10 ~ 100Arms para el rango 100A CA (>400Hz no especificado)

100 ~ 1000Vrms para el rango 1000V CA

100 ~ 600Arms para el rango CA 600A

(>400Hz sin especificar)

- La lectura será 0,0 para señales por debajo de 10,0 Hz.

(5) Distorsión armónica total:

Función	Rango	Precisión
CAA /CAV	99,9%	$\pm (3,0\% + 10\text{dgt})$

Medición de distorsión armónica:

Orden de armónicos	Rango	Precisión
H01 ~ H12	99,9%	$\pm (5\% + 10\text{dgt})$
H13~H25		$\pm (10\% + 10\text{dgt})$

— Si CAV<10Vrms o CAA <10Arms, mostrará "rdy".

— Si la frecuencia fundamental se sale del rango 45 ~ 65Hz, se mostrará "out.F".

(6) Corriente de irrupción:

Función	Rango	Precisión
A CA	99,99A	$\pm (2,5\% + 0,2A)$
	599,9A	$\pm (2,5\% + 5dgt)$

Precisión definida para:

Onda sinusoidal, Frec. 50/60Hz

- Tiempo de integración de unos 100m seg

Nivel de activación de IRRUPCIÓN: 1Arms para el rango 100A**(7) Potencia activa: Vatios**

Función	Rango	Precisión
ACW	9,999 kW*	A,errorxV, lectura + V,errorxA, lectura
	99,99 kW	
	599,9KW	

* Si el valor medido <1,000kW, añadir 10 dgt a la precisión.

Precisión definida para:

Acw:

Onda sinusoidal, CAV ■ 10 Vrms, CAA ■ 5 Arms

Frec 50~60Hz, PF=1,00

(8) Factor de potencia

Función	Rango	Precisión
PF	1,00	$\pm 5dgt$

* CAA<100A, agregue $\pm 3dgt$ a la precisión.**(9) Resistencia, continuidad y diodo:**

Función	Rango	Precisión
Resistencia	999,9 Ω	$\pm (1,0\% + 5dgt)$
	9,999 k Ω	
	99,99 k Ω	
Continuidad	999,9 Ω	$\pm (1,0\% + 5dgt)$
Diodo	0,40~ 0,80 V	$\pm 0,1 V$

Máx. Corriente de prueba: Aprox. 0,5mA.**Tensión máxima de circuito abierto para Ω , Ω " :****Tensión máxima de circuito abierto de aprox. 3V** para diodo:

Umbral de continuidad de aprox 1.8V: <300 pita.

> 1000 No pita.

Indicador de continuidad: Tiempo de respuesta de continuidad del zumbador de 2 KHz: < 100ms.

(10) Capacitancia:

Función	Rango	Precisión
Capacitancia	3,999 μ F	$\pm (1,9\% + 8\text{dgt})$
	39,99 μ F	
	399,9 μ F	
	3999 μ F	

(11) Sonda flexible de corriente CA (tensión de entrada):

Función	Rango (1mV/1A)	Precisión*
A CA	300,0A/3000A	$\pm(1\%+5\text{dgt})$ (50~500Hz)**
HFR CAA	300,0A/3000A	$\pm(1\%+5\text{dgt})$ (50~60Hz)** $\pm(5\%+5\text{dgt})$ (61~400Hz)**
Pico	420,0A/4200A	$\pm(3\%+80\text{dgt})$ (50~500Hz)
IRRUPCIÓN	300,0A/3000A	$\pm(2\%+10\text{dgt})$ (50/60Hz)
Frecuencia	99,99Hz/999,9Hz	$\pm (0,5\%+3\text{dgt})$ (<500Hz)
THD	99,9%	$\pm(5\%+10\text{dgt})$
Arm H01-H12	99,9%	$\pm(5\%+10\text{dgt})$

1 La precisión no incluye multímetro de piza flex.

2* CAA <300dgt, añadir 3 dgt a la precisión.

— Si CAA <30Arms, mostrará "rdy" en modo Armónico.

Nivel de activación de IRRUPCIÓN: 1% del rango de corriente

Informations de sécurité

Comprenez et suivez attentivement les instructions d'utilisation.

AVERTISSEMENT

Il s'agit d'identifier les conditions et les actions dangereuses qui pourraient provoquer des DOMMAGES CORPORELS ou la MORT.












- Lorsque vous utilisez des câbles de test ou des sondes, gardez vos doigts derrière les protège-doigts.
- Un équipement de protection individuelle doit être utilisé si des pièces de l'installation où la mesure doit être effectuée sont SOUS TENSION DANGEREUSE et pourraient être CACCESSIBLES.
- Retirez le câble de test du multimètre avant d'ouvrir le couvercle des piles ou le boîtier du multimètre.
- Utilisez le multimètre uniquement comme spécifié dans ce manuel ; dans le cas contraire, la protection fournie par le multimètre peut être altérée.
- Utilisez toujours les bornes, la position du commutateur et la plage de mesure appropriées.
- Vérifiez le fonctionnement du multimètre en mesurant une tension connue. En cas de doute, faites réviser le multimètre.
- Ne pas appliquer plus que la tension nominale, comme indiqué sur le multimètre, entre les bornes ou entre une borne et la terre.
- Soyez prudent avec des tensions supérieures à 30 Vac rms, 42 Vac crête ou 60 Vdc. Ces tensions présentent un risque d'électrocution.
- Pour éviter de fausses lectures pouvant entraîner un choc électrique et des blessures, remplacez la piles dès que l'indicateur de piles faible dignote.
- Débranchez l'alimentation du circuit et déchargez tous les condensateurs haute tension avant de tester la résistance, la continuité, les diodes ou la capacité.
- Ne pas utiliser le multimètre à proximité de gaz, de vapeurs ou de poussières explosives.
- Pour réduire les risques d'incendie ou d'électrocution, n'exposez pas ce produit à la pluie ou à l'humidité.
- Les ensembles de sondes à utiliser pour les mesures SECTEUR doivent être CLASSÉS comme il convient pour la CATÉGORIE DE MESURE III ou IV conformément à la CEI 61010-031 et doivent avoir une tension NOMINALE d'au moins la tension du circuit à mesurer.

ATTENTION


Identifie les conditions et les actions qui pourraient ENDOMMAGER le multimètre ou l'équipement testé.

- Débranchez les câbles de test des points de test avant de changer la position du commutateur rotatif de fonction.
- Ne jamais connecter une source de tension avec le commutateur rotatif de fonction en position Ω , -- , -- .
- N'exposez pas le multimètre à des températures extrêmes ou à une humidité élevée.
- Ne jamais mettre le multimètre en fonction Ω , -- , -- pour mesurer la tension d'un circuit d'alimentation dans un équipement qui pourrait endommager le multimètre et l'équipement testé.

Symboles tels qu'indiqués sur le multimètre et le manuel d'instructions

	Risque d'électrocution.		Voir le manuel d'instructions
	Mesure CC		Mesure CA
	Courant continu et alternatif		Piles
	Équipement protégé par une isolation double ou renforcée		Terre
			Conforme aux directives de l'Union Européenne
	L'application et le retrait des conducteurs sous tension dangereuse sont autorisés		Ne pas jeter ce produit ou le mettre au rebut.

Tension dangereuse

Pour vous alerter de la présence d'une tension potentiellement dangereuse, lorsque le testeur détecte une tension >30 V ou une surcharge de tension (OL) en V. Le symbole  s'affiche.

Entretien

N'essayez pas de réparer ce multimètre. Il ne contient aucune pièce réparable par l'utilisateur. La réparation ou l'entretien ne doivent être effectués que par du personnel qualifié.

Nettoyage

Essayez régulièrement le boîtier avec un chiffon sec et un détergent. N'utilisez pas d'abrasifs ou de solvants.

Options

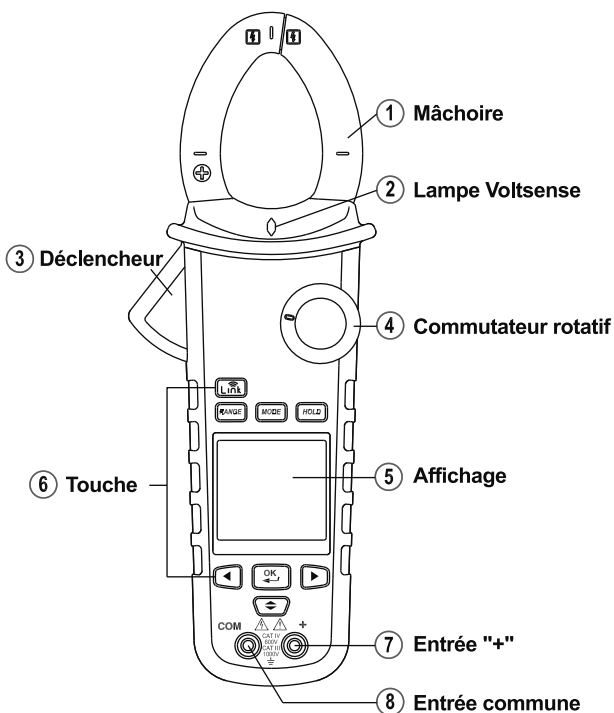
- Affichage numérique à 10000 unités de temps.
- Affichage à grande échelle avec rétro-éclairage actif
- VoltSeek (Aucune tension de contact)
- Barre analogique
- Lecture RMS réelle en mode CA et CA+CC
- Sauvegarde/chargement de la mémoire (quantité de données jusqu'à 1000)
- Enregistreur de données (quantité de données jusqu'à 9999)
- Communication par transmission sans fil
- Allumage de la torche lors du serrage
- Capacité et sélection automatique CA/CC 1000 Volts
- Capacité de résistance 100 K
- Avertisseur sonore de continuité
- Compteur de fréquence
- Mesure de la puissance et du facteur de puissance
- Distorsion harmonique totale et harmoniques 1 à 25
- Capacité
- Courant d'appel
- Maintien de crête
- CRÊTE MIN/MAX
- Maintien des données intelligentes
- Indication de la rotation des phases
- CA courant alternatif
- Rejet des hautes fréquences
- Arrêt automatique
- Normes de sécurité IV 600 V. / CAT. III 1000 V

Déballage et inspection

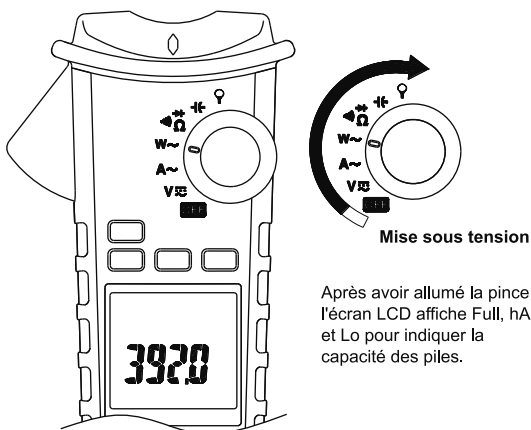
Lors du retrait de votre nouvelle pince de mesure de puissance de son emballage, vous devriez avoir les éléments suivants :

1. Pince de mesure de puissance
2. Ensemble de câbles de mesure (un noir, un rouge)
3. Mode d'emploi
4. Sac de transport
5. Piles

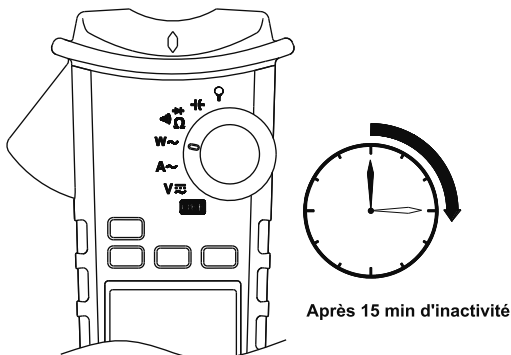
Description du multimètre



Marche / Arrêt



Arrêt automatique



Le multimètre peut fonctionner à nouveau en l'allumant à partir de la position OFF.

Désactiver l'arrêt automatique (APO) :

Appuyez sur la bouton OK pendant que le multimètre s'allume à partir de la position OFF.

Boutons poussoirs



GAUCHE



DROIT



HAUT/BAS

Menu Fonctionnement

MMA Hz HFR ~ |||| MEM LOG
A-SAVE SAVE LOAD CLR RATE

Exemple

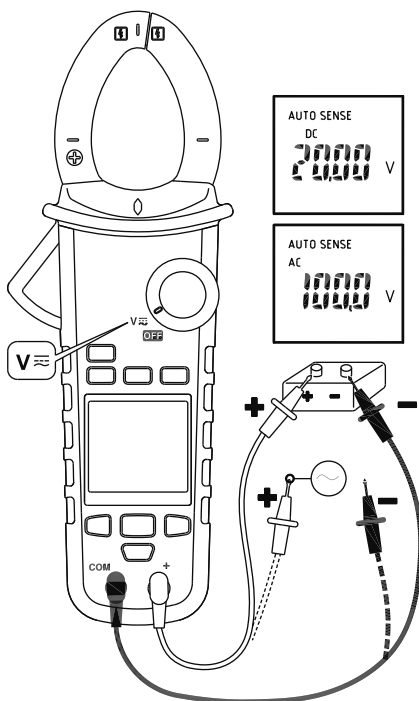
	Utilisez les touches fléchées pour déplacer le curseur clignotant sur l'icône cible, puis appuyez sur la bouton OK.
	Utilisez les touches fléchées pour déplacer le curseur clignotant sur l'icône cible, puis appuyez sur la bouton OK pendant plus de 2 secondes.
MMA	L'icône sans soulignement signifie que la fonction n'est pas exécutée.
<u>MMA</u>	L'icône soulignée signifie que la fonction est exécutée.

Faire des mesures de base

Préparation et précaution avant la mesure
 ⚠ : **Observez les règles** ⚠ d'avertissement et de ⚠ mise en garde. Les figures des pages suivantes montrent comment effectuer des mesures de base.

Lors de la connexion des câbles de test au DUT (dispositif sous essai), connectez les câbles de test communs avant de connecter les câbles de test sous tension; lors du retrait des câbles de test, retirez les câbles de test sous tension avant de retirer les câbles de test communs.

Mesure de la tension

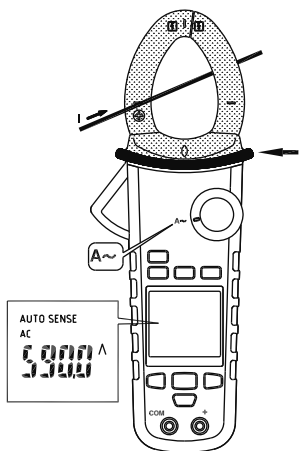


⚠ Avertissement

Pour éviter tout risque d'électrocution, de danger ou d'endommagement de l'appareil, n'essayez pas d'effectuer des mesures qui pourraient dépasser 1000 V CC ou CA RMS. Ne pas appliquer plus de 1000 V CC ou CA RMS entre la borne d'entrée commune et la terre.

Remarque - Si la tension mesurée est supérieure à 30 V CC ou CA RMS, l'écran affiche le symbole "⚡".

Mesure du courant

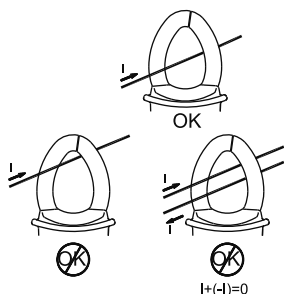


CAT.IV.600V
CAT. m.1000V par rapport à la terre pour la mâchoire.
Barrière tactile pour garde-main.



Ne tenez pas le lecteur à travers la barrière tactile.

- Ne serrez pas un conducteur pendant que le multimètre est sous tension.
- Allumage lors du serrage.



Mode AUTO SENSE :

Affichez le résultat de la mesure à la valeur CA ou CC, en fonction de la valeur la plus élevée.


Mode CA : CA seulement avec valeur RMS.

Mode CC : Valeur CC.

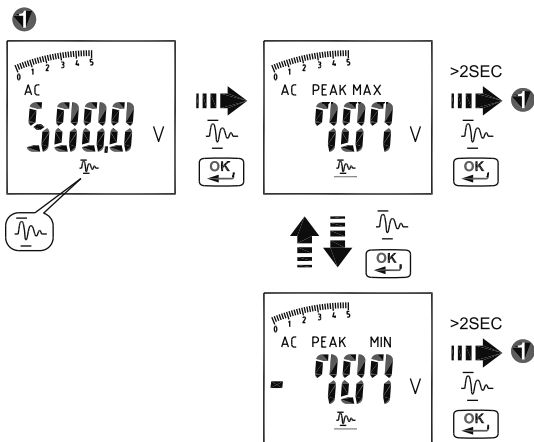
Mode CA+CC : Valeur RMS CA+CC.

Remarque :

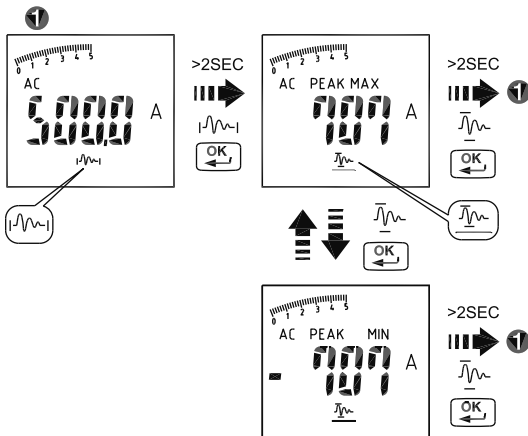
- Appuyez sur le bouton MODE pour accéder au mode CA/CC/CA+CC.
- Appuyez sur le bouton MODE pendant plus de 2 secondes pour revenir au mode AUTO SENSE.

MAINTIEN DE CRÊTE  (mode CA uniquement)

Mode CAV



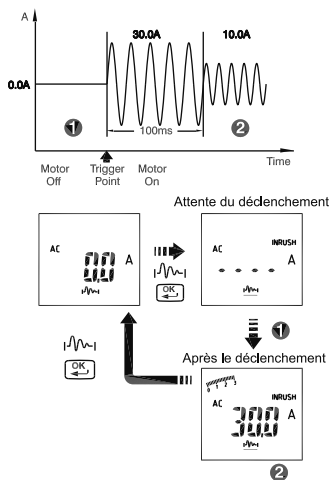
Mode CAA



En mode MAINTIEN DE CRÊTE, le multimètre est activé pour enregistrer la valeur de crête positive et la valeur de crête négative. La valeur de crête positive est affichée en mode CRÊTE MAX. La valeur de crête négative est affichée en mode CRÊTE MIN.

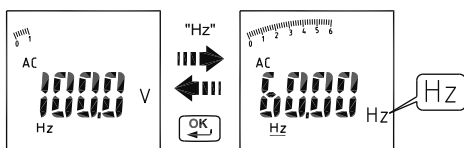
Courant d'appel \bar{I}_m : (mode CA uniquement)

Si la surintensité de démarrage testée est supérieure à 100A CA, veuillez sélectionner la plage jusqu'à 600A à l'avance avant d'activer la surintensité de démarrage.



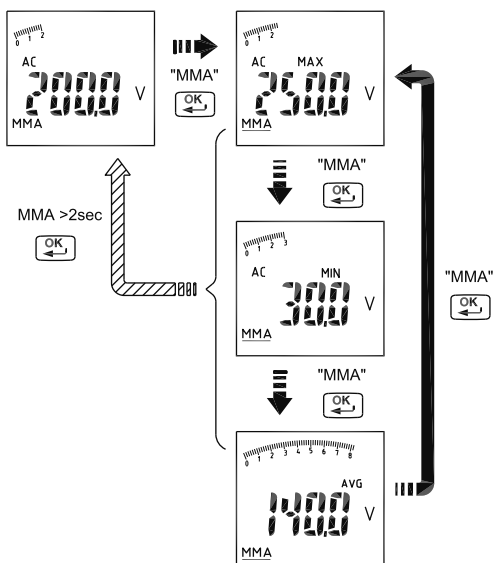
Mesure de la fréquence (mode CA uniquement)

Sélectionnez l'indicateur "Hz" puis appuyez sur la bouton OK pour entrer/sortir du mode de mesure de la fréquence.



MAX/MIN/MOY

Le mode MAX/MIN/MOY enregistre les valeurs d'entrée min et max. Lorsque l'entrée descend en dessous de la valeur minimale enregistrée ou dépasse la valeur maximale enregistrée, le multimètre enregistre la nouvelle valeur. Le mode MAX/MIN/MOY peut également calculer la moyenne des lectures.



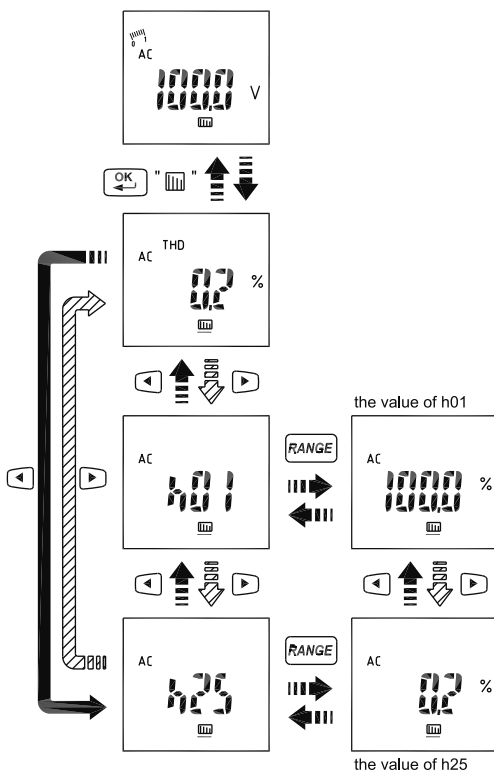
REMARQUE :

- Appuyez sur la bouton HOLD en mode MAX/MIN/MOY pour que le multimètre cesse de mettre à jour les valeurs maximales, minimales et moyennes. Lorsque le mode HOLD est inclus dans le mode MAX/MIN/MOY, le mode HOLD doit être libéré avant le mode MAX/MIN/MOY.

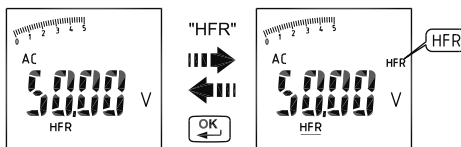
Mesure des harmoniques (mode CA uniquement)

$THD-F = \text{RMS des harmoniques} + \text{RMS du fondamental} \times 100\%$
(harmoniques jusqu'à la 25ème)

$H_n = \text{RMS de l'harmonique individuelle} + \text{RMS de la fondamentale} \times 100\%$. Appuyez sur la bouton RANGE pour afficher l'ordre des harmoniques ou la valeur de l'harmonique (unité : %).

**HFR (mode CA uniquement)**

Sélectionnez l'indicateur "HFR" puis appuyez sur la bouton OK pour éliminer le bruit haute fréquence.

**REMARQUE :**

Les modes Maintien de crête, Surintensité, HZ, Harmonique et HFR sont uniquement disponibles en mode CA.

Mesure Puissance active (W)/Facteur de puissance (PF)

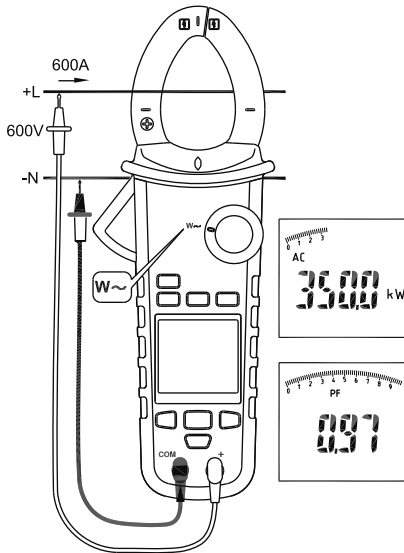
1. Mesure de la puissance monophasée

Étape 1. Placez le commutateur rotatif sur la position "W".

Étape 2. Connectez le câble de test rouge au L, et le câble de test noir au N.

Étape 3. Appuyez sur la gâchette pour ouvrir les mâchoires du transformateur et serrer un seul conducteur, assurez-vous que la mâchoire est fermement fermée autour du conducteur.

Étape 4. Utilisez la bouton MODE pour sélectionner le mode "CAW/CCW/PF".



REMARQUE :

- En mode AutoSense, le multimètre affichera CAW/CCW selon que la fréquence CA a été détectée ou non.

Signe de la puissance active :

(La direction actuelle doit être la même que celle de la figure).

Aucun signe : Indique les flux de puissance de la source d'alimentation à la charge.

signe " _ " : Indique le flux de puissance de la charge vers la source d'alimentation.

Signe du facteur de puissance :

Aucun signe : La phase du signal de courant est en retard sur celle du signal de tension (charge inductive).

signe " _ " : La phase du signal de courant est en avance sur le signal de tension (charge capacitive).

Affichage du dépassement de plage :

OL.U : Surcharge de tension

OL.A : Surcharge de courant

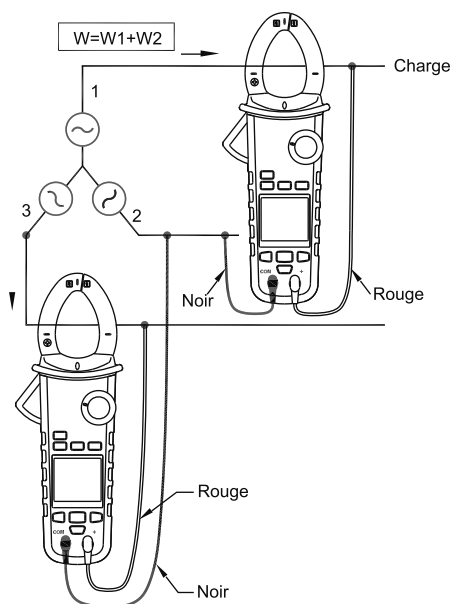
± OL kW : Puissance active > 1050 kW ou < -1050 kW.

2. Mesure de la puissance triphasée

a. triphasé 3 fils équilibrés / déséquilibrés

Étape 1. Placez le commutateur rotatif sur la position "W".

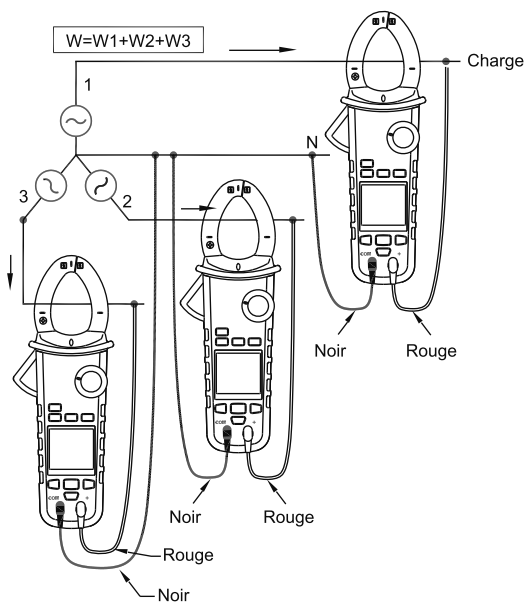
Étape 2. Utilisez le bouton MODE pour choisir le mode CAW.



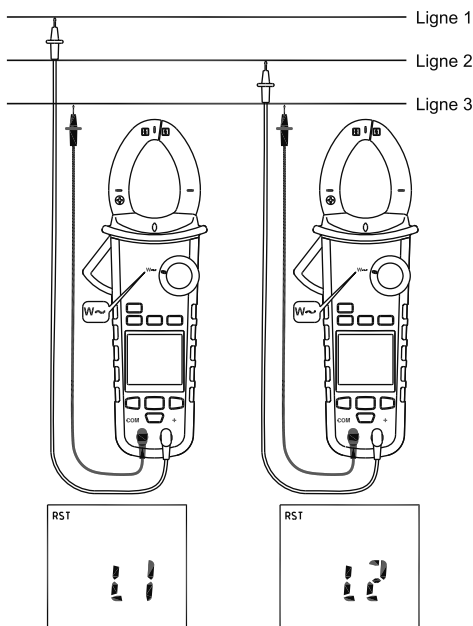
b. triphasé 3 fils équilibrés / déséquilibrés

Étape 1. Placez le commutateur rotatif sur la position "W".

Étape 2. Utilisation du bouton MODE pour choisir le mode CAW .



Rotation de phase



REMARQUE :

- Connectez la source d'alimentation triphasée supposée comme indiqué ci-dessus.
- Le test n'est disponible que lorsque la fréquence du système est stable.

Étape 1. Placez le commutateur rotatif sur la position "W".

Étape 2. Utilisez le bouton MODE pour choisir le mode "RST".

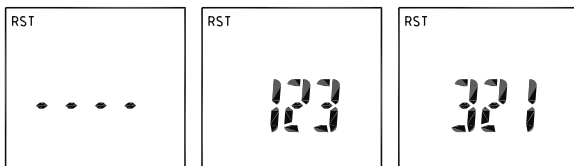
Étape 3. Connectez le fil de test rouge à la phase supposée

Ligne 1, et le fil de test noir à la phase supposée Ligne 3.

- si la tension est > 1050V, il affiche "OLU" et clignote ; si la tension est <30V, il affiche "LoU".
- Si la fréquence est > 65Hz ou < 45Hz, il affiche "outF" et clignote.
- S'il est normal, il affiche "L1" pendant environ 3 secondes.

Étape 4. S'il affiche "L2", le BUZZER retentira deux fois. Veuillez changer le fil de test rouge pour le connecter à la phase supposée de la ligne 2 immédiatement avant que le "L2" ne disparaisse.

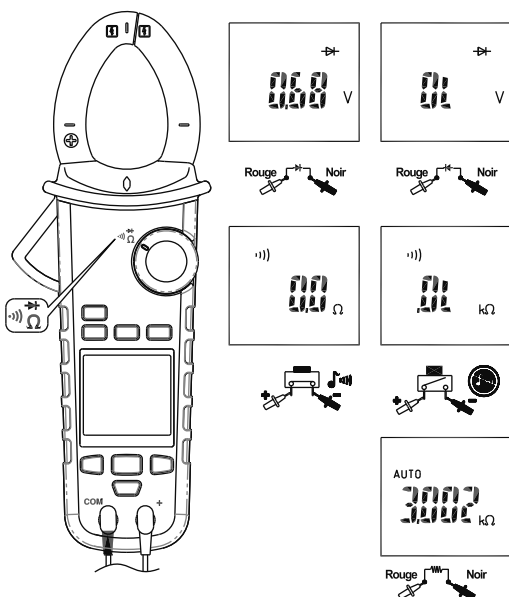
Étape 5. Lorsque "L2" disparaît, le résultat du test s'affiche.



- S'il affiche " 1 2 3 ", alors la séquence de phase est une séquence avant, ce qui signifie que la phase supposée de la ligne 1 est en avance sur la phase supposée de la ligne 2.
- S'il affiche " 3 2 1 ", alors la séquence de phase est inversée, ce qui signifie que la phase supposée de la ligne 2 est en avance sur la phase supposée de la ligne 1.
- "--" signifie que le compteur est incapable de déterminer les résultats.
- Si l'écran affiche "LoU", il est possible que vous ayez retiré les câbles de test avant d'avoir terminé toutes les procédures de test.

Étape 6 : Pour répéter le test, appuyez à nouveau sur le bouton OK.

Mesure OHM



! ATTENTION

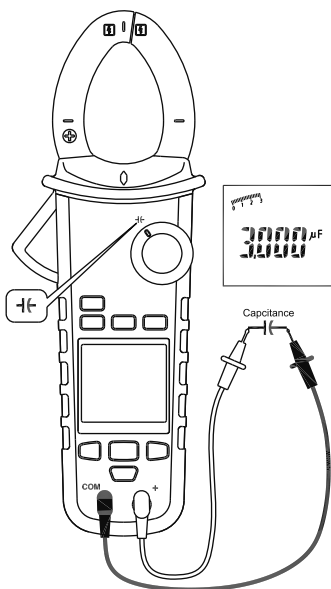
Pour éviter d'endommager l'appareil de mesure ou l'équipement testé, débranchez le circuit et déchargez tous les condensateurs haute tension avant de mesurer la résistance.

Remarque :

- Appuyez sur le bouton MODE pour sélectionner le mode Ω , $\text{k}\Omega$ ou V .
- La LED rouge s'allume, si la résistance de l'objet sous test est $< 30 \Omega$.

Mesure de la capacité

Mettez le commutateur rotatif sur la position. C



! ATTENTION

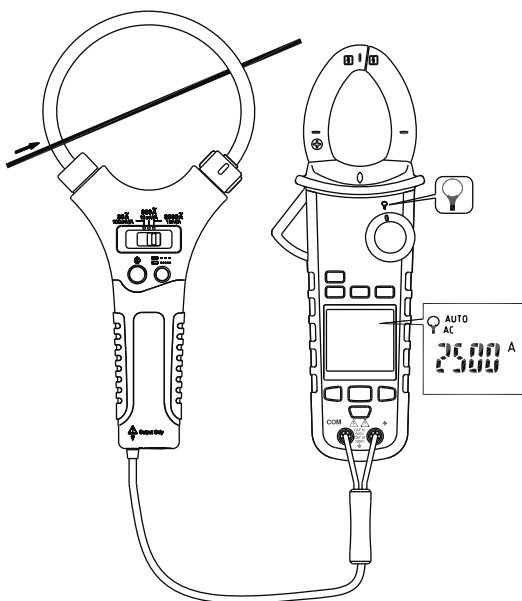
Pour éviter d'endommager l'appareil de mesure ou l'équipement testé, débranchez le circuit et déchargez tous les condensateurs haute tension avant de mesurer la capacité. Utilisez la fonction de tension continue CC pour confirmer que le condensateur est déchargé.

Remarque - Le compteur affichera "diSC" pendant la décharge du condensateur.

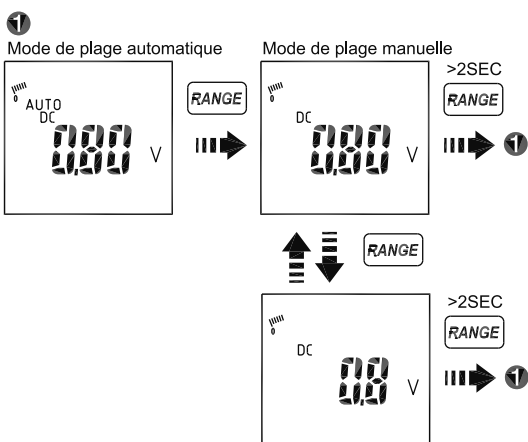
Mesure du courant avec un multimètre à pince flexible

Mettez le commutateur rotatif sur la position I .

Maintenez la portée du multimètre Flex Clamp à un rapport de sortie de 3000 A / 3 V.

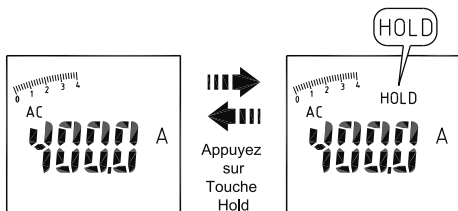
**Remarque :**

Veillez suivre les instructions illustrées ci-dessus et mesurer un courant connu pour vous assurer que la connexion entre deux compteurs est correcte.

Autre fonction :**PLAGE AUTOMATIQUE/MANUELLE**

Touche HOLD

Appuyez sur la bouton HOLD pour figer la valeur affichée.



SMART HOLD : Le compteur émet un Signal sonore continu et l'affichage clignote si le signal mesuré est supérieur à la valeur affichée. (pour les fonctions V, A, W et Flex CA)

Mode MEM

Lors de la mesure, vous pouvez enregistrer la lecture dans la mémoire et la charger à partir de la mémoire. Le compteur peut stocker un maximum de 1000 données en mémoire.

Pour accéder au mode MEM, utilisez les touches fléchées pour sélectionner l'icône MEM, puis appuyez sur la bouton OK.

Dans ce mode, vous pouvez utiliser les options ci-dessous:

Utilisez les touches fléchées pour sélectionner les icônes suivantes.	
A-SAVE (Enregistrer Automatiquement)	Vous pouvez utiliser le mode d'enregistrement automatique (A-SAVE) pour enregistrer automatiquement une nouvelle lecture. Lorsque vous utilisez les sondes pour mesurer une nouvelle lecture, le lecteur l'enregistre automatiquement. Dans certains cas, le mode A-SAVE ne fonctionnera pas. Par exemple, la lecture est inférieure à la limite A-SAVE ou la lecture est OL. Appuyez sur le bouton OK pour entrer/sortir du mode A-Save. Appuyez sur la bouton RANGE pour afficher la quantité de données enregistrées / la valeur mesurée actuellement.
SAVE (ENREGIS TRER)	Appuyez sur le bouton OK pour passer en mode SAVE. Appuyez sur le bouton OK pour enregistrer une nouvelle lecture en mémoire. Appuyez sur la bouton RANGE pour afficher la quantité de données enregistrées / la valeur mesurée actuellement. Appuyez sur le bouton OK pendant plus de 2 secondes pour quitter le mode.
LOAD (CHARGE)	Appuyez sur le bouton OK pour entrer/sortir du mode LOAD. Appuyez sur le bouton GAUCHE ou DROITE pour sélectionner les données. Appuyez sur la bouton RANGE pour sélectionner l'index des données/la valeur enregistrée.
CLR (SUPPRIMER)	Appuyez sur le bouton OK pour entrer en mode CLR. Appuyez sur la bouton OK pour supprimer toutes les données en mémoire. Appuyez sur le bouton OK pendant plus de 2 secondes pour quitter ce mode.
MMA (MAX/MIN)	Le mode MMA est uniquement valable lorsque le mode A-Save a été exécuté et terminé. Appuyez sur le bouton OK pour passer en mode MMA. Appuyez sur la bouton OK pour afficher la valeur maximale ou minimale. Appuyez sur le bouton OK pendant plus de 2 secondes pour quitter ce mode.

Pour quitter le mode MEM, utilisez les touches fléchées pour sélectionner l'icône MEM et appuyez sur la bouton OK.

Limite A-Save.

Fonction	Limite
V, A, W, Flex A, Cap	5% de plage
Hz	10% de 100 Hz plage 5% de 1 k/10k Hz plage

Mode LOG

Vous pouvez enregistrer beaucoup de lectures en mémoire sur une longue période, puis analyser et tracer un graphique.

Le compteur peut stocker un maximum de 9999 données en mémoire.

La fréquence d'enregistrement peut être réglée entre 1 s et 600 s. L'erreur de la minuterie est inférieure à 3 secondes par heure.

Pour entrer en mode LOG, utilisez les touches fléchées pour sélectionner l'icône LOG, puis appuyez sur la bouton OK pour entrer.

Dans ce mode, vous pouvez utiliser les options ci-dessous :

Utilisez les touches fléchées pour sélectionner les icônes suivantes.	
SAVE (ENREGIS TRER)	Appuyez sur le bouton OK pour démarrer l'enregistreur de données. L'enregistreur enregistre automatiquement à intervalles réguliers. Pour arrêter l'enregistreur de données, appuyez sur le bouton OK pour revenir.
LOAD (CHARGE)	Vous pouvez appuyer sur le bouton OK pour consulter les données de la mémoire. Appuyez sur le bouton GAUCHE ou DROITE pour sélectionner les données. Appuyez sur la bouton RANGE pour sélectionner l'index des données/la valeur enregistrée. Appuyez sur le bouton OK pour revenir.
FRÉQUENCE	Appuyez sur le bouton OK pour configurer la vitesse d'enregistrement de l'enregistreur. Appuyez sur le bouton GAUCHE ou DROITE pour sélectionner le taux. Appuyez sur le bouton OK pour revenir.

Pour quitter le mode LOG, sélectionnez l'icône LOG, puis appuyez sur le bouton OK.



Le compteur utilise la technologie sans fil à faible puissance (BLE) v4.0 pour transférer les données en temps réel. Vous pouvez utiliser la communication RF pour vous connecter à des appareils Android ou Apple.

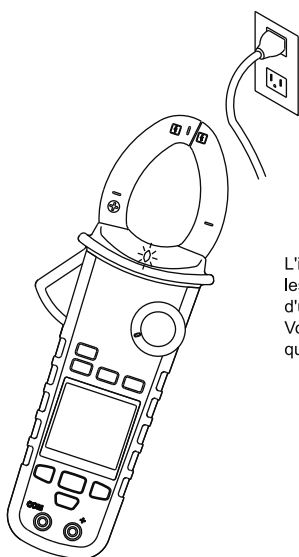
Gamme de communication RF : En plein air, jusqu'à 10 m.

Cette fonction est invalide pour COURANT D'APPEL / rotation de phase.

VoltSeek (détection de tension sans contact) :

Le diamant rouge de la LED s'allume, si un champ électrique a été détecté au niveau de la mâchoire.

Remarque - Cette fonction n'est pas valide pour OHM, Capacitance, SURINTENSITÉ, et Rotation de Phase.



⚠ Attention !

L'indicateur lumineux s'allume lorsque les pointes de la pince sont proches d'un champ électrique. Si le voyant Volt Seek n'est pas allumé, il se peut que la tension soit toujours présente.

Signal sonore

Le glucomètre émet un Signal sonore pour chaque pression de bouton valide, et deux Signaux sonores pour chaque pression de bouton non valide.

Options de configuration :

Appuyez sur l'une des touches suivantes pendant l'allumage du multimètre depuis la Position OFF

Touche HAUT/BAS : Affichage de la version du logiciel.

Bouton OK : Désactiver la fonction de mise hors tension automatique L'écran affiche "AoFF".

Bouton GAUCHE : Désactiver le rétro-éclairage actif. L'écran affiche "LoFF".

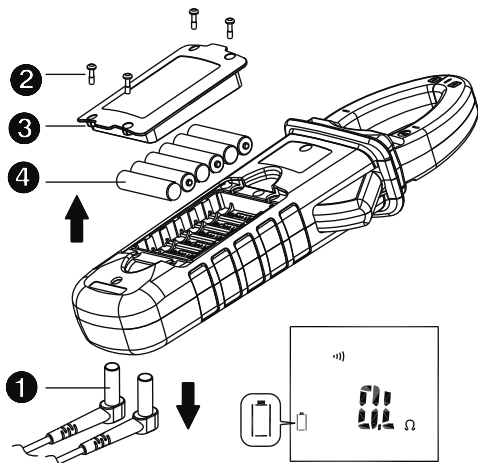
Bouton HOLD (PAUSE) : Affiche tous les symboles LCD pendant environ 10 secondes.

Affichage de piles faible

L'utilisateur peut connaître l'état des piles grâce à l'indicateur.

État des piles	Description
	Les piles sont complètement chargées
	Les piles sont à 2/3 de sa puissance
	Les piles sont à 1/3 de sa puissance
	Remplacez les piles dès que l'indicateur de piles faible apparaît, pour éviter une fausse lecture.

Remplacement des piles



⚠ Attention !

Retirez les cordons de test du multimètre avant d'ouvrir le couvercle des piles ou le boîtier du multimètre.

Spécifications

Spécifications générales

Protection de surcharge: 1000 Vrms
600V CA rms

Unités d'affichage : 10000

Fréquence de mesure : 3 fois / sec.

Affichage du dépassement de plage : "OL" ou "-OL"

Arrêt automatique : Env. 15 minutes

Puissance requise : 6x1,5 V AAA alkaline batteries.

Autonomie des piles : 50 heures (sans rétro-éclairage).

Dimensions : 103mm(W) x 243mm(L) x 55mm(D)

Poids : approx. 540g (with piles)

Spécifications environnementales

Usage intérieur.

Étalonnages : Cycle d'étalonnage d'un an.

Température de fonctionnement :

0°C ~ 10°C

10°C ~ 30°C (80% RH),

30°C ~ 40°C (75% RH),

40°C ~ 50°C (45% RH)

Température de stockage : -10 à 50 °C

0 à 80% HR (piles non installées)

Coefficient de température :

0,2 x (précision spécifiée) / °C, <18°C, > 28°C

Catégorie de surtension : IEC 61010-1 600V CAT. W

1000V CAT. T

IEC 61010-2-032, IEC 61010-2-033

CAT Champ d'application

n	Les circuits directement connectés à l'installation basse tension.
m	L'installation du bâtiment.
W	La source de l'installation basse tension.

Altitude de fonctionnement : 2000 m (6562 pieds)

Taille du conducteur : 33 mm diamètre

Degré de pollution : 2

EMC : IEC 61326-1 :

Vibration de choc :

Selon MIL-PRF-28800F pour un instrument de classe 2

Protection contre les chutes : Chute d'1m20 sur un plancher ou un sol en béton

Caractéristiques électriques

La précision est de \pm (% de la lecture + nombre de chiffres) entre 23 ° C et 5 ° C (<80% HR) La précision est spécifiée pour une période d'un an après l'étalonnage.

(1) Tension CA

Fonction	Plage	Précision*
CCV	99,99 V	\pm (0,7% + 2dgt)
	999,9 V	
CAV	99,99 V	\pm (1.0% + 5dgt) 50 ~500Hz
	999,9 V	
HFR CAV	99,99 V	50 ~ 60Hz \pm (1% + 5dgt) >60 ~ 400Hz \pm (5% + 5dgt)
	999,9 V	

* CCV <1000dgt, ajouter 6 dgt à la précision.

CAV <1000dgt, ajouter 3 dgt à la précision.

Impédance d'entrée : 3,5M Ω // <100pF

Type de conversion CA : Le type de conversion CA est couplé en courant alternatif, à réponse efficace vraie, étalonné sur l'entrée sinusoïdale. Les précisions sont données pour une onde sinusoïdale à pleine échelle et une onde non sinusoïdale en dessous de la demi-échelle. Pour une onde non sinusoïdale (50/60Hz), ajoutez les corrections suivantes du facteur de crête :

Pour un facteur de crête de 1,4 à 2,0, ajoutez 1% à la précision.

Pour un facteur de crête de 2,0 à 2,5, ajoutez 2,5% à la précision.

Pour un facteur de crête de 2,5 à 3,0, ajoutez 4% à la précision.

CF 3 @ 280A

2 @ 420A

Précision CA+CC Vrms : identique à la spécification CAV. + spécification CCV

(2) Courant

Fonction	Plage	Précision
CAA	99,99A	50 ~ 60 Hz \pm (1,5% + 5dgt) >60 ~ 400 Hz \pm (2% + 5dgt)
	599,9A	
HFR CAA	0,10A ~ 99,99A	50 ~ 60 Hz \pm (1,5% + 5dgt) >60 ~ 400 Hz \pm (5% + 5dgt)
	599,9A	

La valeur mesurée <1000dgt, ajouter 5 dgt à la précision.

Erreur de position : $\pm 1\%$ de lecture.

Le type de conversion CA et la précision supplémentaire sont les mêmes que pour la tension CA.

— Pour une meilleure précision de mesure du courant élevé et la contrainte de l'augmentation de la température de la plage maximale 600A CA, ne pas mesurer pendant plus de 10 minutes.

Et le temps de repos doit attendre au moins 30 minutes entre chaque mesure.

(3) Maintien de crête : CRÊTE MAX / CRÊTE MIN

Fonction	Plage	Précision
CAV	140,0 V	$\pm (3,0\% + 15\text{dgt})$
	1400 V	
CAA	140A	$\pm (3,0\% + 15\text{dgt})$
	850A	

Précision définie pour :

Onde sinusoïdale, CAV>5Vrms / CAA -5Arms, Fréq.50~400Hz.

— Pour une onde carrée, la précision n'est pas spécifiée.

— Ne convient que pour les événements répétitifs.

(4) Fréquence

Fonction	Plage	Précision
Fréquence	20,00 ~ 99,99 Hz	$\pm (0,5\% + 3\text{dgt})$
	20,0 ~ 999,9 Hz	
	0,020 ~ 9,999 KHz	

Sensibilité minimale :

10~100Vrms pour la plage CA 100V

10~100Arms pour la plage CA 100A (>400Hz non spécifié)

100~1000Vrms pour la plage CA 1000V

100~600Arms pour la plage CA 600A

(>400Hz Non spécifié)

- La lecture sera de 0,0 pour les signaux inférieurs à 10,0 Hz.

(5) Distorsion harmonique totale :

Fonction	Plage	Précision
CAA /CAV	99,9%	$\pm (3\% + 10\text{dgt})$

Mesure de la distorsion harmonique :

Ordre harmonique	Plage	Précision
H01 ~ H12	99,9%	$\pm (5\% + 10\text{dgt})$
H13~H25		$\pm (10\% + 10\text{dgt})$

- Si CAV<10Vrms ou CAA <10Arms, il affichera "rdy".

- Si la fréquence fondamentale est hors de la plage 45 ~ 65Hz, l'écran affiche "out.F".

(6) Courant d'appel :

Fonction	Plage	Précision
CAA	99,99A	$\pm (2,5\% + 0,2A)$
	599,9A	$\pm (2,5\% + 5dgt)$

Précision définie pour :

Onde sinusoïdale, fréq. 50/60Hz
- Temps d'intégration environ 100m sec

Niveau de déclenchement de SURINTENSITÉ : 1Arms pour la plage 100A

(7) Puissance active : Watt

Fonction	Plage	Précision
CAW	9,999 kW*	A, erreurV, lecture + V, erreur xA, lecture
	99,99 kW	
	599,9KW	

* Si la valeur mesurée < 1.000kW, ajoutez 10 dgt à la précision.

Précision définie pour :

CAW :
Onde sinusoïdale , CAV ■ 10 Vrms, CAA ■ 5 Arms
Fréq. 50~60Hz, PF=1.00

(8) Facteur de puissance

Fonction	Plage	Précision
PF	1,00	$\pm 5dgt$

* CAA < 100A, ajouter $\pm 3dgt$ à la précision.

(9) Résistance et Continuité et Diode :

Fonction	Plage	Précision
Résistance	999,9 Ω	$\pm (1\% + 5dgt)$
	9,999 k Ω	
	99,99 k Ω	
Continuité	999,9 Ω	$\pm (1\% + 5dgt)$
Diode	0,40~ 0,80 V	$\pm 0,1V$

Max. Courant d'essai : Environ 0,5mA

Tension maximale en circuit ouvert pour for Ω , μ : Environ 3V de Tension maximale en circuit ouvert pour la diode : Seuil de continuité d'environ 1,8V : <300 Signal sonore On.

>1000 Signal sonore OFF.

Indicateur de continuité : 2 KHz Tone Signal sonore

Temps de réponse de la continuité : < 100ms.

(10) Capacité

Fonction	Plage	Précision
Capacité	3,999 μ F	\pm (1.9% + 8dgt)
	39,99 μ F	
	399,9 μ F	
	3999 μ F	

(11) Courant CA Flex (entrée de tension) :

Fonction	Plage(1mV/1A)	Précision*
CAA	300A-3000A	\pm (1%+5dgt) (50~500Hz)**.
HFR CAA	300A-3000A	\pm (1%+5dgt) (50~60Hz)** \pm (5%+5dgt) (61~400Hz)**
CRÊTE	420A/4200A	\pm (3%+80dgt) (50~500Hz)
COURANT D'APPEL	300A-3000A	\pm (2%+10dgt) (50/60Hz)
Fréquence	99,99Hz/999,9Hz	\pm (0,5%+3dgt) (<500Hz)
THD	99,9%	\pm (5%+10dgt)
Harm H01-H12	99,9%	\pm (5%+10dgt)

1 La dose de précision ne comprend pas la pince-mètre FLEX.

2 * CAA <300dgt, ajouter 3 dgt à la précision.

- Si CAA <30Arms, il affichera "rdy" en mode harmonique.

Niveau de déclenchement de SURINTENSITÉ : 1% de plage actuel.

Sicherheitshinweise

Verstehen und befolgen Sie die Betriebsanleitung sorgfältig.

WARNUNG

Dies weist auf gefährliche Bedingungen und Handlungen hin, die zu KÖRPER-SCHADEN oder TOD führen können.





- Wenn Sie Messleitungen oder Prüfspitzen verwenden, halten Sie Ihre Finger hinter dem Fingerschutz.
- Individuelle Schutzausrüstung sollte verwendet werden, wenn GEFÄHRLICHE STROMFÜHRENDE Teile in der Anlage, in der die Messung durchgeführt werden soll, ZUGÄNGLICH sein könnten.
- Entfernen Sie die Messleitung vom Messgerät, bevor Sie das Batteriefach oder das Messgerätegehäuse öffnen.
- Verwenden Sie das Messgerät nur so, wie es in dieser Anleitung beschrieben ist; andernfalls kann der vom Messgerät gebotene Schutz beeinträchtigt werden.
- Verwenden Sie für die Messungen immer die richtigen Klemmen, Schalterstellungen und Bereiche.
- Überprüfen Sie die Funktion des Messgeräts, indem Sie eine bekannte Spannung messen. Im Zweifelsfall lassen Sie das Messgerät warten.
- Legen Sie nicht mehr als die auf dem Messgerät angegebene Nennspannung zwischen den Klemmen oder zwischen einer Klemme und der Erdung an.
- Seien Sie vorsichtig bei Spannungen über 30 Vac eff, 42 Vac Spitze oder 60 Vdc. Diese Spannungen stellen eine Stromschlaggefahr dar.
- Um falsche Messwerte zu vermeiden, die zu Stromschlag und Verletzung führen können, tauschen Sie die Batterie aus, sobald die Batterieanzeige blinkt.
- Trennen Sie den Stromkreis und entladen Sie alle Hochspannungskondensatoren, bevor Sie Widerstand, Durchgang, Dioden oder Kapazität prüfen.
- Verwenden Sie das Messgerät nicht in der Nähe von explosiven Gasen oder Dämpfen.
- Um das Risiko eines Brandes oder elektrischen Schlages zu verringern, setzen Sie dieses Produkt nicht Regen oder Feuchtigkeit aus.
- Messfühler, die für Messungen an STROMNETZEN verwendet werden sollen, müssen gemäß EN 61010-031 für die MESSKATEGORIE III oder IV eingestuft sein und mindestens die SpannungseINSTUFUNG des zu messenden Stromkreises aufweisen.

ACHTUNG

Dies weist auf Bedingungen und Vorgänge hin, die das Messgerät oder die zu prüfende Ausrüstung **BESCHÄDIGEN** könnten.

- Trennen Sie die Messleitungen von den Messpunkten, bevor Sie die Position des Funktionsdreh Schalters ändern.
- Schließen Sie niemals eine Spannungsquelle an, wenn sich der Funktionsdreh schalter in Ω , H Position befindet.
- Setzen Sie das Messgerät keinen extremen Temperaturen oder hoher Luftfeuchtigkeit aus.
- Setzen Sie das Messgerät niemals in der Ω , H -Funktion ein, um in einem Gerät die Spannung eines Stromversorgungskreises zu messen, da dies zu einer Beschädigung des Messgeräts und des zu prüfenden Geräts führen könnte.

Symbole wie auf dem Messgerät und in der Bedienungsanleitung angegeben

	Gefahr eines elektrischen Schlages		Siehe Gebrauchsanweisung
	DC Messung		AC Messung
	Sowohl Gleichstrom als auch Wechselstrom		Batterie
	Durch doppelte oder verstärkte Isolierung geschützte Geräte		Erdung
			Entspricht den EU-Richtlinien
	Anwendung um und Entfernung von gefährlichen stromführenden Leitern ist erlaubt		Dieses Produkt darf nicht entsorgt oder weggeworfen werden.

Unsichere Spannung

Um Sie vor dem Anliegen einer potenziell gefährlichen Spannung zu warnen, wenn das Prüfgerät eine Spannung $>30\text{ V}$ oder eine Spannungsüberlastung (OL) in V erkennt. Das ⚡ Symbol wird angezeigt.

Wartung

Versuchen Sie nicht, das Messgerät zu reparieren. Es enthält keine vom Benutzer zu wartenden Teilen. Reparaturen oder Wartungsarbeiten sollten nur von qualifiziertem Personal durchgeführt werden.

Reinigung

Wischen Sie das Gehäuse regelmäßig mit einem trockenen Tuch und Reinigungsmittel ab.
Verwenden Sie keine Scheuermittel oder Lösungsmittel.

Merkmale

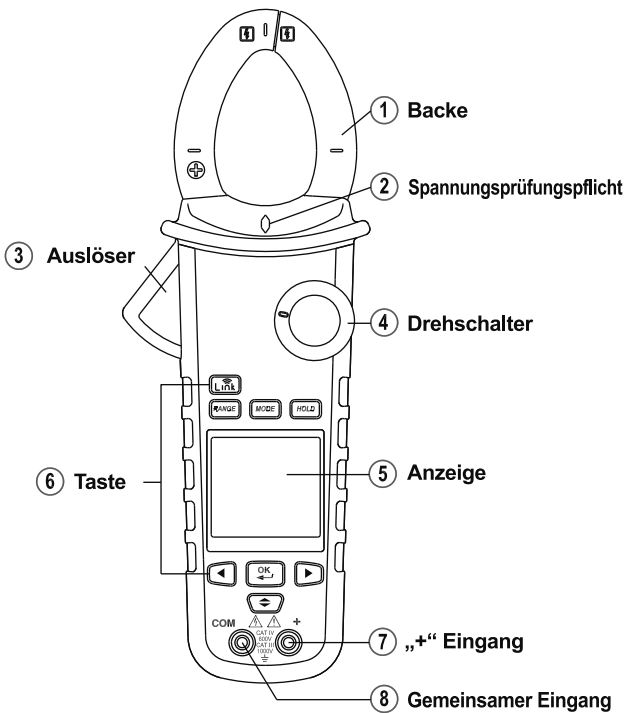
- Digitale Anzeige mit 10000 Zählern.
 - Aktive Hintergrundbeleuchtung, großes Display
 - VoltSeek (Berührungslose Spannung)
 - Analoges Balkendiagramm
 - Tatsächlicher eff Messwert im AC- und AC+DC-Modus
 - Speicher speichern/laden (Datenmenge bis zu 1000)
 - Datenlogger (Datenmenge bis zu 9999)
 - Drahtlose Übertragungskommunikation
 - Taschenlampenbeleuchtung bei der Befestigung
 - Automatische AC/DC 1000 Volt Leistungsfähigkeit und Auswahl
 - 100 K Widerstandsfähigkeit
 - Kontinuitäts-Summer.
 - Frequenzzähler
 - Leistungs- und Leistungsfaktormessung
 - Gesamte Oberschwingungsverzerrung und Oberschwingungen 1 bis 25
 - Kapazität
 - EINSCHALTSTROM
 - Spitzenwert halten
 - MIN/MAX HALTEN
 - Smart Data Hold
 - Phasendrehungsanzeige
 - Flex-Wechselstrom
 - Hochfrequenzunterdrückung (HFR)
 - Automatische Abschaltung
 - CAT. IV 600 V / CAT. III 1000 V Sicherheitsstandard
-

Auspacken und Inspektion

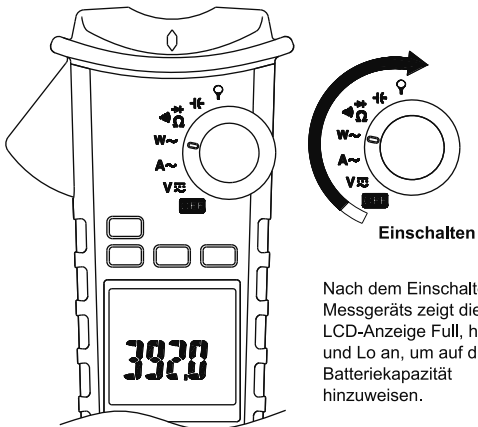
Wenn Sie Ihr neues Stromzangenmessgerät aus der Verpackung genommen haben, sollten Sie über die folgenden Teile verfügen:

1. Stromzangenmessgerät
2. Messleitungssatz (eine schwarze, eine rote)
3. Handbuch
4. Tragetasche
5. Batterie

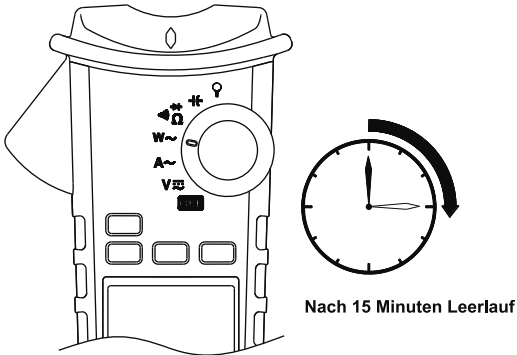
Das Messgerät Beschreibung



Einschalter / Ausschalter



Automatische Abschaltung

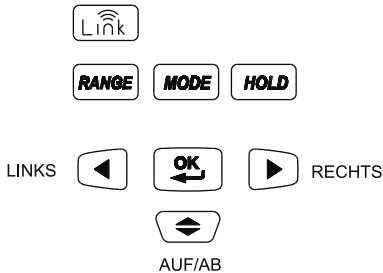


Das Messgerät kann wieder in Betrieb genommen werden, wenn Sie es auf die Position OFF schalten.

Abschaltautomatik (APO) deaktivieren:

Drücken Sie die OK-Taste, während Sie das Messgerät aus der Position OFF und damit einschalten.

Drucktasten



Menübedienung

MMA Hz HFR ~ |||| MEM LOG
A-SAVE SAVE LOAD CLR RATE

Beispiel

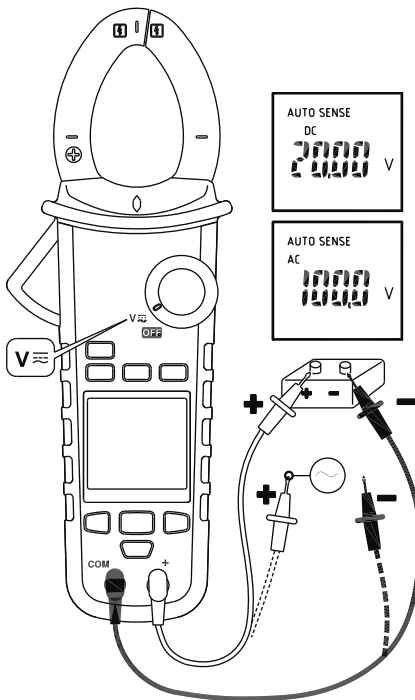
	Verwenden Sie die Pfeiltasten, um den blinkenden Cursor zum Zielsymbol zu bewegen, und drücken Sie danach die OK-Taste
	Verwenden Sie die Pfeiltasten, um den blinkenden Cursor zum Zielsymbol zu bewegen, und drücken Sie dann länger als 2 Sekunden die OK-Taste
<u>MMA</u>	Das nicht unterstrichene Symbol bedeutet, dass die Funktion nicht ausgeführt wird.
<u>MMA</u>	Das unterstrichene Symbol bedeutet, dass die Funktion ausgeführt wird.

Grundlegende Messungen durchführen

Vorbereitung und Vorsicht vor der Messung
 ⚠ **Beachten Sie die Regeln** der ⚠ **Warnungen** und ⚠
 Vorsichtsmaßnahmen. Die Abbildungen auf den
 folgenden Seiten zeigen, wie Sie grundlegende

Wenn Sie die Messleitungen mit dem zu testenden Gerät (DUT – Device Under Test) verbinden, schließen Sie die gemeinsamen Messleitungen an, bevor Sie die spannungsführenden Messleitungen anschließen; beim Entfernen der Messleitungen entfernen Sie die spannungsführenden Messleitungen, bevor Sie die gemeinsamen Messleitungen entfernen.

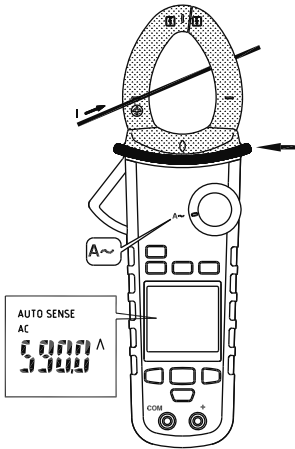
Messspannung



⚠ **Warnung**

Um Stromschläge, Gefahren oder Schäden am Messgerät zu vermeiden, versuchen Sie nicht, Messungen durchzuführen, bei denen 1000 V DC oder der eff (Effektivstrom) AV überschritten werden. Legen Sie zwischen der gemeinsamen Eingangsklemme und der Erdung nicht mehr als 1000 V DC oder den eff AV an. Hinweis - Wenn die gemessene Spannung größer als 30 V DC oder eff AV ist, wird auf dem Display das „ ⚡“-Symbol angezeigt.

Strom messen

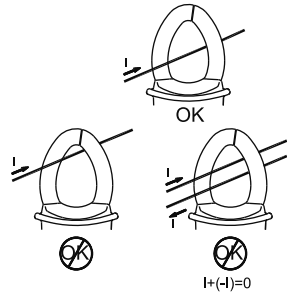


CAT.IV. 600 V
CAT. m. 1000 V in Bezug auf die
Erdung für die Backe.
Taktile Barriere für Handschutz.



Fassen Sie
das Messgerät nicht über
der Taktilen Barriere an.

- Klemmen Sie keinen Leiter an, während das Messgerät eingeschaltet ist.
- Taschenlampenbeleuchtung bei der Befestigung.

**AUTO SENSE-Modus:**

Messergebnisse werden beim AC (Wechselstrom) nur mit dem eff-Wert oder dem DC-Wert angezeigt, je nachdem, welcher größer ist.


AC-Modus: AC nur mit eff-Wert.

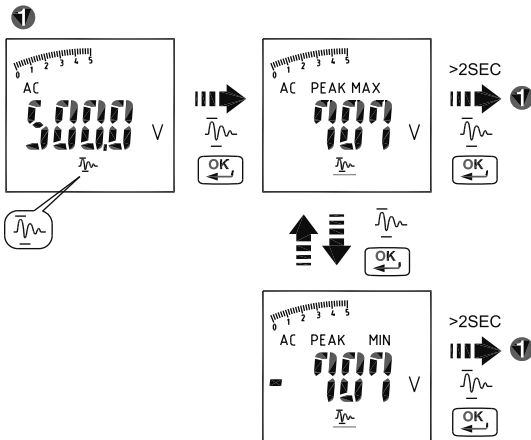
DC-Modus: DC-Wert.

AC+DC-Modus: AC+DC eff-Wert.

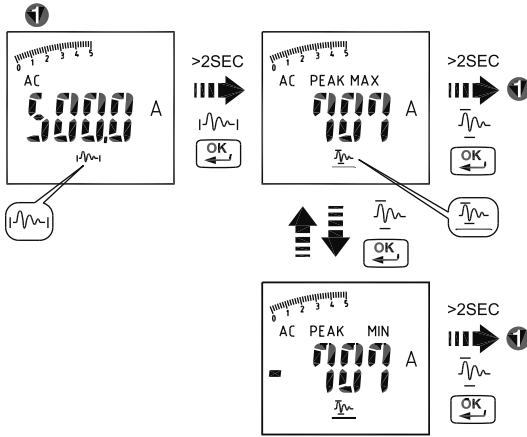
Hinweis

- Drücken Sie die MODE-Taste, um in den AC/DC/AC+DC-Modus zu gelangen.
- Drücken Sie die MODE-Taste länger als 2 Sekunden, um zum AUTO SENSE-Modus zurückzukehren.

PEAK HOLD  (nur im AC-Modus)

ACV-Modus:

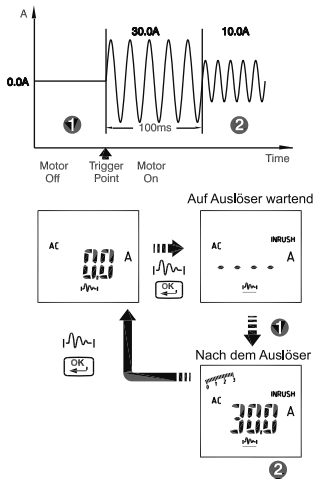
ACA-Modus



Im PEAK HOLD-Modus ist das Messgerät aktiviert, um den positiven Spitzenwert und den negativen Spitzenwert zu speichern. Der positive Spitzenwert wird im PEAK MAX-Modus angezeigt. Der negative Spitzenwert wird im PEAK MIN-Modus angezeigt.

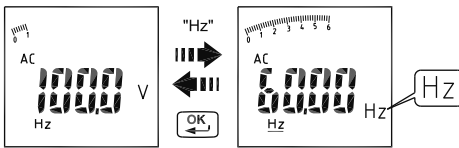
Einschaltstrom \bar{I}_{in} : (nur AC-Modus)

Wenn der zu testende Einschaltstrom größer als 100 A Wechselstrom ist, wählen Sie bitte im Voraus den Bereich bis 600 A aus, bevor Sie den Einschaltstrom aktivieren.



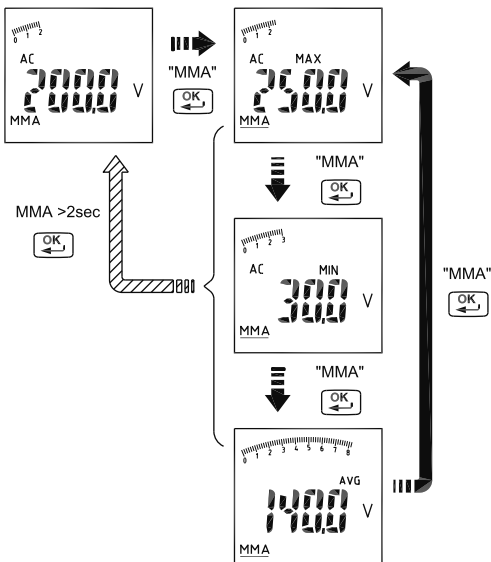
Frequenz messen (nur AC-Modus)

Wählen Sie den „Hz“-Indikator und drücken Sie dann die OK-Taste, um den Frequenzmess-Modus aufzurufen oder zu verlassen.



MAX/MIN/DURCHSCHNITT

Der MAX/MIN/AVG-Modus zeichnet die minimalen und maximalen Eingangswerte auf. Wenn die Eingangswerte unter dem aufgezeichneten Minimalwert oder über dem aufgezeichneten Maximalwert liegen, zeichnet das Messgerät den neuen Wert auf. Der MAX/MIN/AVG-Modus kann auch den Mittelwert des Messwerts berechnen.



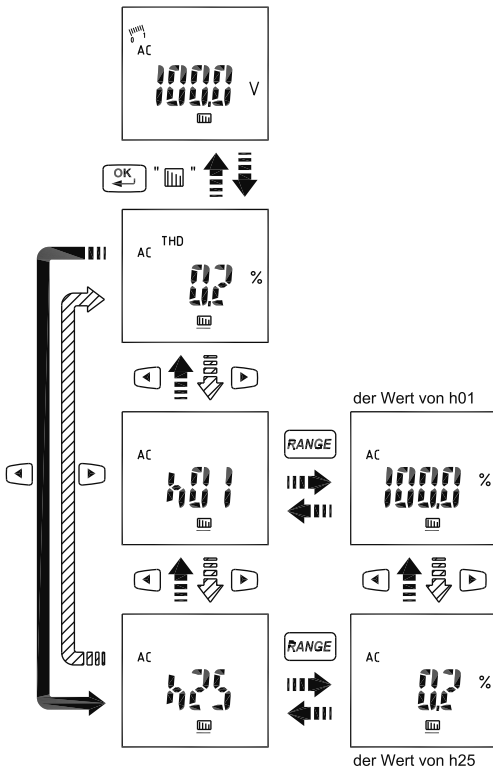
HINWEIS:

- Drücken Sie im MAX/MIN/AVG-Modus die HOLD-Taste, damit das Messgerät die Aktualisierung der Maximal-, Minimal- und Durchschnittswerte stoppt. Wenn der HOLD-Modus im MAX/MIN/AVG-Modus gefangen ist, muss der HOLD-Modus vor dem MAX/MIN/AVG-Modus freigegeben werden.

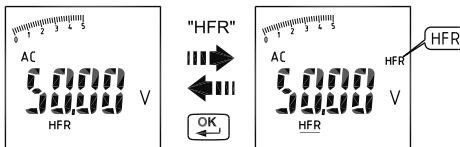
Oberschwingungsmessung (nur im AC-Modus)

THD-F=eff der Oberschwingung + eff der Grundschwingung X100 %.
(Oberschwingungen bis zur 25.)

Hn = eff der individuellen Oberschwingung + eff der Grundschwingung X 100 %. Drücken Sie die RANGE-Taste, um die Reihenfolge der Oberschwingung oder den Wert der Oberschwingung (Einheit: %) anzuzeigen.

**HFR (nur AC-Modus)**

Wählen Sie den „HFR“-Indikator und drücken Sie dann die OK-Taste, um hochfrequentes Rauschen zu beseitigen.

**HINWEIS:**

Peak Hold-, Einschaltstrom-, HZ-, Oberschwingungs- und HFR-Modus sind nur im AC-Modus verfügbar.

Messung der Wirkleistung (W)/Leistungsfaktor (PF)

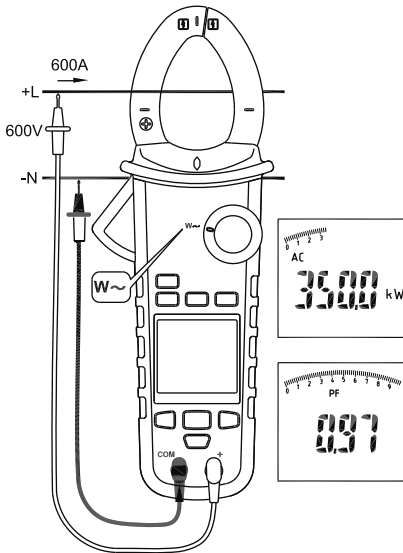
1. Einphasige Leistungsmessung

Schritt 1. Stellen Sie den Drehschalter auf die Position „W“.

Schritt 2. Verbinden Sie die rote Messleitung mit L und die schwarze Messleitung mit N.

Schritt 3. Drücken Sie den Auslöser, um die Klemmbacken des Transformators zu öffnen und klemmen Sie nur einen Leiter an und achten Sie darauf, dass die Klemmbacke fest um den Leiter geschlossen ist.

Schritt 4. Wählen Sie mit der MODE-Taste den Modus „ACW/DCW/PF“.



HINWEIS :

- Im AutoSense-Modus zeigt das Messgerät ACW/DCW an, abhängig davon, ob eine AC-Frequenz erkannt wurde.

Wirkleistungszeichen:

(Die Stromrichtung muss mit der Abbildung übereinstimmen.)

Kein Zeichen: Zeigt den Stromfluss von der Stromquelle zur Last an.

„-“ Zeichen: Zeigt den Stromfluss von der Last zur Stromquelle an.

Leistungsfaktorzeichen:

Kein Zeichen: Die Phase des Stromsignals hinkt dem Spannungssignal hinterher (induktive Last).

„-“ Zeichen: Die Phase des Stromsignals geht dem Spannungssignal voraus (kapazitive Last).

Overrange-Anzeige:

OL.U: Spannungsüberlastung

OL.A: Stromüberlastung

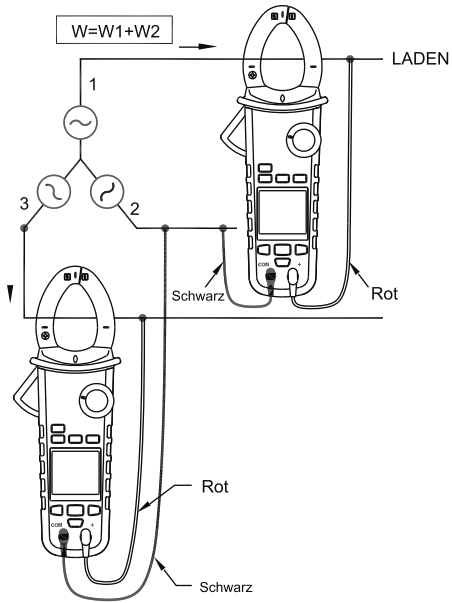
± OL kW: Wirkleistung > 1050 kW oder < -1050 kW.

2. Dreiphasige Leistungsmessung

a. 3 Phasen 3-Leiter symmetrisch / unsymmetrisch.

Schritt 1. Stellen Sie den Drehschalter auf die Position „W“.

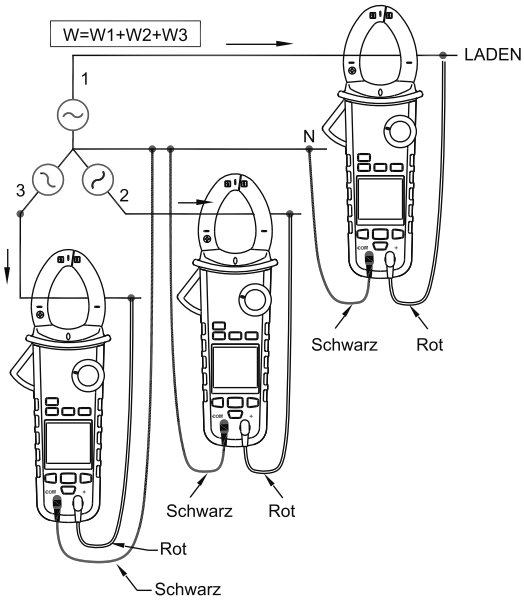
Schritt 2. Wählen Sie mit der MODE-Taste den ACW-Modus.



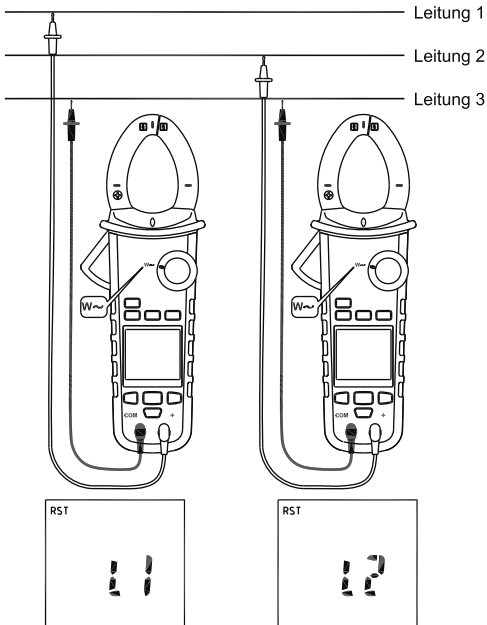
b. 3 Phasen 4-Leiter symmetrisch / unsymmetrisch.

Schritt 1. Stellen Sie den Drehschalter auf die Position „W“.

Schritt 2. Wählen Sie mit der MODE-Taste den ACW-Modus.



Phasendrehung



HINWEIS :

- Schließen Sie die vermutete dreiphasige Stromquelle wie oben gezeigt an.
- Der Test ist nur verfügbar, solange die Systemfrequenz stabil ist.

Schritt 1. Stellen Sie den Drehschalter auf die Position „W“.

Schritt 2. Wählen Sie mit der MODE-Taste den „RST“-Modus

Schritt 3. Verbinden Sie die rote Messleitung mit der mutmaßlichen Phase Leitung 1, und die schwarze Messleitung mit der mutmaßlichen Phase Leitung 3.

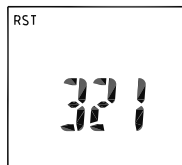
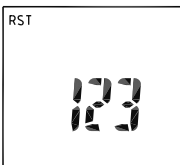
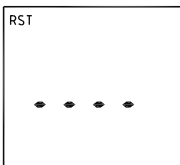
a. wenn Volt > 1050 V ist, wird „OLU“ angezeigt und blinkt; wenn Volt < 30V ist, wird „LoU“ angezeigt

b. Wenn die Frequenz > 65 Hz oder < 45 Hz ist, wird „outF“ angezeigt und blinkt.

c. Wenn es normal ist, wird etwa 3 Sekunden lang „L1“ für angezeigt.

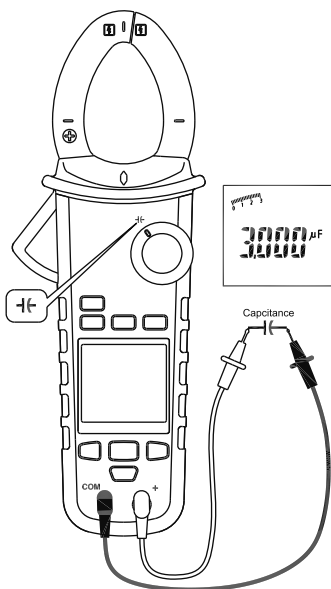
Schritt 4. Wenn „L2“ angezeigt wird, ertönt der SUMMER zweimal. Bitte schalten Sie das rote Testkabel um, um es mit der mutmaßlichen Phase von Leitung 2 zu verbinden, unmittelbar, bevor das „L2“ verschwindet.

Schritt 5. Wenn „L2“ verschwunden ist, wird das Testergebnis angezeigt.



Kapazitätsmessung

Stellen Sie den Drehschalter auf die ⚡ Position.



ACHTUNG

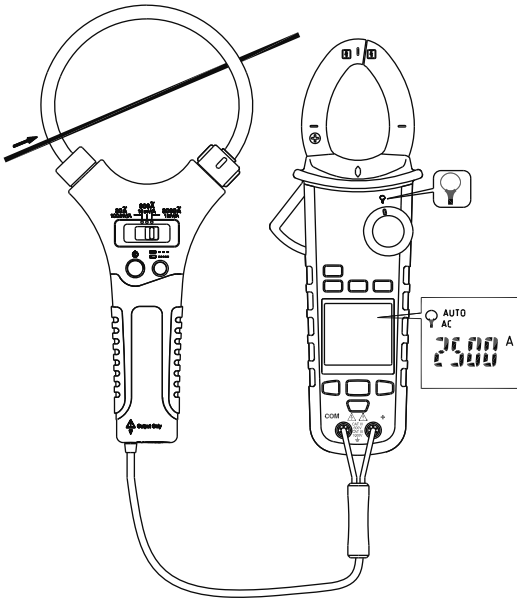
Um eine mögliche Beschädigung des Messgeräts oder des zu prüfenden Geräts zu vermeiden, unterbrechen Sie vor der Kapazitätsmessung die Stromversorgung des Stromkreises und entladen Sie alle Hochspannungskondensatoren. Verwenden Sie die Gleichspannungsfunktion, um zu bestätigen, dass der Kondensator entladen ist.

Hinweis - Während der Kondensator entladen wird, zeigt das Messgerät „diSC“ an.

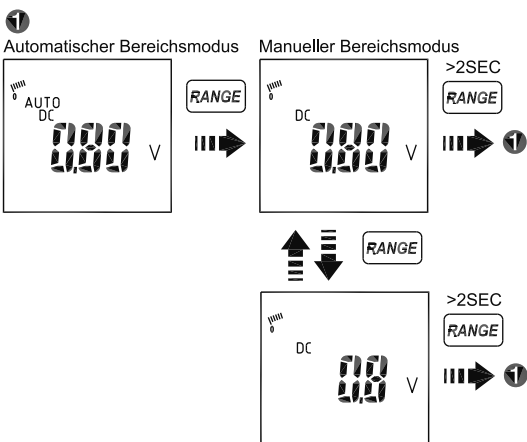
Strom mit Flex-Zangenmessgerät messen

Stellen Sie den Drehschalter auf die Position.

Behalten Sie den Bereich des Flex Clamp-Messgeräts (APPA sFlex-T) bei 3000 A/3 V Ausgangsverhältnis bei.

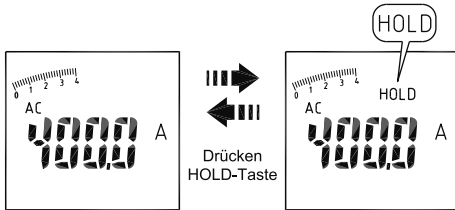
**Hinweis :**

Bitte befolgen Sie die oben abgebildete Anleitung und messen Sie einen Ihnen bekannten Strom, um sicherzustellen, dass die Verbindung zwischen zwei Messgeräten korrekt ist.

Weitere Funktion:**AUTO/MANUELL-BEREICH**

HOLD-Taste

Drücken Sie die HOLD-Taste, um den Anzeigewert einzufrieren.



INTELLIGENTES HALTEN: Das Messgerät piept kontinuierlich und die Anzeige blinkt, wenn das gemessene Signal größer ist als der Anzeigewert (für die Funktionen V, A, W und Flex AC-Strom)

MEM-Modus

Beim Messen können Sie den Messwert im Speicher speichern und aus dem Speicher laden. Das Messgerät kann maximal 1000 Daten im Speicher ablegen. Um in den MEM-Modus zu gelangen, verwenden Sie die Pfeiltasten, um das MEM-Symbol auszuwählen, und drücken Sie die OK-Taste.

In diesem Modus können Sie die folgenden Optionen bedienen:

Verwenden Sie die Pfeiltasten, um die folgenden Symbole auszuwählen.	
A-SAVE (Automatisches Speichern)	Sie können den A-SAVE-Modus verwenden, um neue Messwerte automatisch zu speichern. Wenn Sie mit den Sonden einen neuen Messwert messen, speichert das Messgerät diesen automatisch. In einigen Fällen funktioniert der A-SAVE-Modus nicht. Zum Beispiel wenn der Messwert kleiner als der A-SAVE-Grenzwert oder der Messwert OL ist. Drücken Sie die OK-Taste, um den A-Speicher-Modus aufzurufen bzw. zu verlassen. Drücken Sie die RANGE-Taste, um die aufgezeichnete Datenmenge/den aktuell gemessenen Wert anzuzeigen.
SPEICHERN	Drücken Sie die OK-Taste, um in den SAVE-Modus zu gelangen. Drücken Sie die OK-Taste, um einen neuen Messwert im Speicher abzulegen. Drücken Sie die RANGE-Taste, um die aufgezeichnete Datenmenge/den aktuell gemessenen Wert anzuzeigen. Um den Modus zu verlassen, drücken Sie die OK-Taste länger als 2 Sekunden.
LADEN	Drücken Sie die OK-Taste, um den LOAD-Modus aufzurufen/zu verlassen. Drücken Sie die LINKS- oder RECHTS-Taste, um Daten auszuwählen. Drücken Sie die RANGE-Taste, um den Datenindex/aufgezeichneten Wert auszuwählen.
CLR	Drücken Sie die OK-Taste, um in den CLR-Modus zu gelangen. Drücken Sie die OK-Taste, um alle Daten im Speicher zu löschen. Drücken Sie die OK-Taste länger als 2 Sekunden, um diesen Modus zu verlassen.
MMA MAX/MIN	Der MMA-Modus ist nur gültig, wenn der A-Save-Modus ausgeführt und beendet wurde. Drücken Sie die OK-Taste, um in den MMA-Modus zu gelangen. Drücken Sie die OK-Taste, um den Höchst-/Mindestwert anzuzeigen. Drücken Sie die OK-Taste länger als 2 Sekunden, um diesen Modus zu verlassen.

Um den MEM-Modus zu verlassen, verwenden Sie die Pfeiltasten, um das MEM-Symbol auszuwählen und drücken Sie die OK-Taste.

A-Save-Grenzwert.

Funktion	Grenzwert
V, A, W, Flex A, Cap	5 % vom Bereich
Hz	10 % des 100-Hz-Bereichs 5 % des 1-k-/10-kHz-Bereichs

LOG-Modus

Sie können eine Menge von Messwerten in einem Speicher aufzeichnen, dann analysieren und grafisch darstellen.

Das Messgerät kann maximal 9999 Daten im Speicher ablegen.

Die Aufzeichnungsrate kann zwischen 1 Sekunde und 600 Sekunden eingestellt werden. Der Fehler des Timers ist kleiner als 3 Sekunden pro Stunde.

Um in den LOG-Modus zu gelangen, verwenden Sie die Pfeiltasten, um das LOG-Symbol auszuwählen, und drücken Sie zum Aufrufen die OK-Taste.

In diesem Modus können Sie die folgenden Optionen bedienen:

Verwenden Sie die Pfeiltasten, um die folgenden Symbole auszuwählen.	
SPEICHERN	Drücken Sie die OK-Taste, um den Datenlogger zu starten. Der Logger zeichnet automatisch in regelmäßigen Abständen auf. Um den Datenlogger zu stoppen, drücken Sie die OK-Taste, um zurückzukehren.
LADEN	Drücken Sie die OK-Taste, um die Daten im Speicher zu überprüfen. Drücken Sie die LINKS- oder RECHTS-Taste, um Daten auszuwählen. Drücken Sie die RANGE-Taste, um den Datenindex/aufgezeichneten Wert auszuwählen. Drücken Sie die OK-Taste, um zurückzukehren.
RATE	Drücken Sie die OK-Taste, um die Aufzeichnungsrate des Loggers einzustellen. Drücken Sie die LINKS- oder RECHTS-Taste, um die Rate auszuwählen. Drücken Sie die OK-Taste, um zurückzukehren.

Um den LOG-Modus zu verlassen, wählen Sie das LOG-Symbol und drücken Sie die OK-Taste.



Das Messgerät nutzt die stromsparende (BLE) v4.0-Funktechnologie, um Echtzeitdaten zu übertragen. Sie können die RF-Kommunikation verwenden, um eine Verbindung zu Android- oder Apple-Geräten herzustellen.

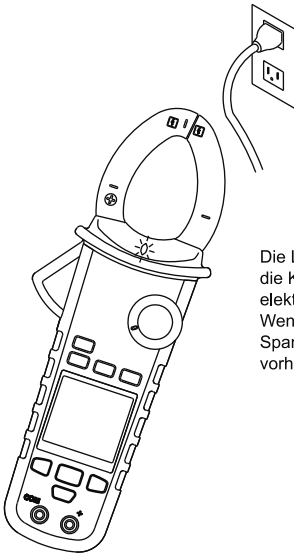
Der RF-Kommunikationsbereich: Im Freien bis zu 10 M

Diese Funktion ist für EINSCHALTSTROM/Phasendrehung ungültig.

VoltSeek:

Die rote rautenförmige LED leuchtet auf, wenn von der Backe ein elektrisches Feld erkannt wurde.

Hinweis - Diese Funktion ist für OHM, Kapazität, EINSCHALTSTROM und Phasendrehung ungültig.



! Achtung

Die Lichtanzeige leuchtet, während sich die Klemmspitzen in der Nähe eines elektrischen Feldes befinden. Wenn keine Anzeige erscheint, kann die Spannung immer noch vorhanden sein.

Summer

Das Messgerät piept bei jedem gültigen Tastendruck einmal und bei jedem ungültigen Tastendruck zweimal.

Einschaltoptionen:

Drücken Sie eine der folgenden Tasten, während Sie das Messgerät damit einschalten OFF-Stellung.

UP/DOWN- (AUFWÄRTS-ABWÄRTS-) Taste: Anzeige der Softwareversion.





OK-Taste: Automatisches Abschalten deaktivieren. Das Display zeigt „AoFF“ an.

LEFT-Taste: Aktive Hintergrundbeleuchtung deaktivieren. Das Display zeigt „LoFF“ an.

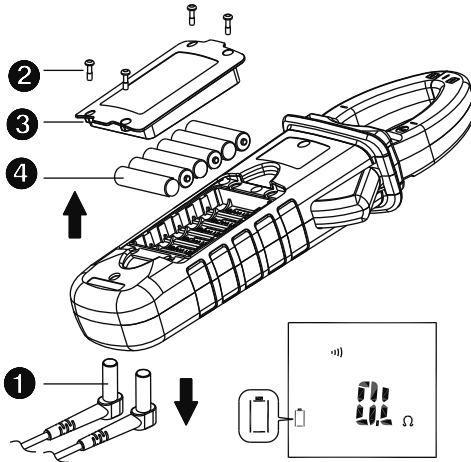
HOLD-TASTE: Alle LCD-Symbole werden für etwa 10 Sek. angezeigt

Batteriezustandsanzeige

Der Benutzer kann den Batteriezustand anhand der Batterieanzeige erkennen.

Batteriezustand	Beschreibung
	Die Batterie ist voll geladen
	Die Batterie hat noch 2/3 Leistung
	Die Batterie hat noch 1/3 Leistung
	Ersetzen Sie die Batterie, sobald die Anzeige für schwache Batterieleistung blinkt, um ungenaue Messwerte zu vermeiden.

Austausch der Batterie



⚠ Achtung

Entfernen Sie die Messleitungen vom Messgerät, bevor Sie die Batterieabdeckung oder das Gehäuse des Messgeräts öffnen.

Spezifikationen

Allgemeine Angaben

Überlastungsschutz: 1000 Ueff
600 Aeff

Zählung anzeigen: 10000 oder 4000

Messrate: 3-mal / Sek.

Overrange-Anzeige: „OL“ oder „-OL“

Automatische Abschaltung: Etwa 15 Minuten.

Leistungsanforderung: 6 x 1,5 V AAA Alkaline-Batterien.

Batterielebensdauer: 50 Stunden (ohne Hintergrundbeleuchtung).

Abmessungen: 103 mm (B) x 243 mm (L) x 55 mm (T)

Gewicht: ca. 540 g (mit Batterie)

Umgebungsbedingungen

Verwendung in Innenräumen.

Kalibrierung: Einjähriger Kalibrierzyklus.

Betriebstemperatur

0°C ~ 10°C

10°C ~ 30°C (80 % RH),

30°C ~ 40°C (75 % RH),

40°C ~ 50°C (45 %RH)

Aufbewahrungstemperatur: -10 bis 50 °C

0 bis 80 % relative Luftfeuchtigkeit (Batterien nicht eingelegt).

Temperaturkoeffizient:

0,2 x (Spezifizierte Genauigkeit) / °C, < 18°C, > 28°C

Überspannungskategorie: IEC 61010-1 600 V / KAT. W

1000 V CAT. T.

IEC 61010-2-032, IEC 61010-2-033

CAT Anwendungsbereich

n	Die Stromkreise, die direkt mit der Niederspannungsinstallation verbunden sind.
m	Die Gebäudeinstallation.
W	Die Quelle der Niederspannungsinstallation.

Betriebshöhe : 2000m (6562 ft)

Maximale Leitergröße: 33 mm Durchmesser

Verschmutzungsgrad : 2

EMV : EN 61326-1

Schock-Vibrationen :

Gemäß MIL-PRF-28800F für ein Gerät der Klasse 2

Fallschutz : 4 Fuß Fall auf Hartholz auf Betonboden

Elektrische Spezifikationen

Die Genauigkeit beträgt \pm (% des Messwerts + Anzahl der Ziffern) bei 23 °C bis 5 °C (< 80 % relative Luftfeuchtigkeit) Die Genauigkeit wird für einen Zeitraum von einem Jahr nach der Kalibrierung angegeben.

(1) Spannung

Funktion	Bereich	Genauigkeit*
DCV	99,99 V	\pm (0,7 % + 2 Stellen)
	999,9 V	
ACV	99,99 V	\pm (1,0 % + 5 Stellen) 50 ~500 Hz
	999,9 V	
HFR AC V	99,99 V	50 ~ 60Hz \pm (1 % + 5 Stellen)
	999,9 V	>60 ~ 400 Hz \pm (5 % + 5 Stellen)

* DCV <1000 Stellen, addieren Sie 6 Stellen zwecks Genauigkeit.

ACV <1000 Stellen, addieren Sie 3 Stellen zwecks Genauigkeit.

Eingangsimpedanz : 3,5 M Ω // <100 pF

AC-Umwandlungsart: AC-Umwandlungen sind wechselstromgekoppelt, reagieren auf True eff und sind auf den eff-Wert eines Sinuswelleneingangs kalibriert. Die Genauigkeiten werden für Sinuswellen bei voller Skala und Nichtsinuswellen unterhalb der halben Skala angegeben. Für Nicht-Sinuswelle (50/60 Hz) fügen Sie die folgenden Crest Factor-Korrekturen hinzu:

Für Crest Faktor von 1,4 bis 2,0, addieren Sie 1,0 % zwecks Genauigkeit.

Für Crest Faktor von 2,0 bis 2,5, addieren Sie 2,5 % zwecks Genauigkeit.

Für Crest Faktor von 2,5 bis 3,0, addieren Sie 4,0 % zwecks Genauigkeit.

CF3 @ 280 A

2 @ 420 A

AC+DC Ueff Genauigkeit: wie AC V-Spez. +DC V-Spez.

(2) Strom

Funktion	Bereich	Genauigkeit
ACA	99,99 A	50 ~ 60 Hz \pm (1,5 % + 2 Stellen)
	599,9 A	>60 ~ 400 Hz \pm (5 % + 5 Stellen)
HFR ACA	0,10 A ~ 99,99 A	50 ~ 60 Hz \pm (1,5 % + 5 Stellen)
	599,9 A	>60 ~ 400 Hz \pm (5 % + 5 Stellen)

Bei einem gemessenen Wert von <1000 Stellen, addieren Sie 5 Stellen zwecks Genauigkeit.

Positionsfehler: $\pm 1\%$ vom Messwert.

AC-Umwandlungstyp und zusätzliche Genauigkeit entsprechen der AC-Spannung.

- Für eine bessere Messgenauigkeit von hohen Strömen und Einschränkung der Temperaturerhöhung des maximalen Bereichs 600 A AC, messen Sie nicht länger als 10 Minuten. Und zwischen jeder Messung muss eine Ruhezeit von mindestens 30 Minuten liegen.

(3) Peak Hold: Spitzenwert MAX/MIN

Funktion	Bereich	Genauigkeit
ACV	140,0 V	$\pm (3,0\% + 15 \text{ Stellen})$
	1400V	
ACA	140,0 A	$\pm (3,0\% + 15 \text{ Stellen})$
	850A	

Genauigkeit definiert für:

Sinuswelle, ACV > 5 Ueff / ACA - 5 Aeff, Freq. 50~400 Hz.

— Für Rechteckwellen ist die Genauigkeit nicht spezifiziert.

— Nur für sich wiederholende Ereignisse geeignet.

(4) Frequenz

Funktion	Bereich	Genauigkeit
Frequenz	20,00 ~ 99,99 Hz	$\pm (0,5\% + 3 \text{ Stellen})$
	20,0 ~ 999,9 Hz	
	0,020 ~ 9,999 KHz	

Empfindlichkeit :

10~100 Ueff für AC 100 V Bereich

10~100 Aeff für AC 100 A Bereich (>400 Hz nicht spezifiziert)

100~1000 Ueff für AC 1000 V Bereich

100~600 Aeff für AC 600 A Bereich

(>400Hz nicht spezifiziert)

- Bei Signalen unter 10,0 Hz beträgt der Messwert 0,0.

(5) Oberschwingung Gesamtverzerrung :

Funktion	Bereich	Genauigkeit
AC A / AC V	99.9%	$\pm (3,0\% + 10 \text{ Stellen})$

Messung der Oberschwingungsverzerrung:

Oberschwingung sreihenfolge	Bereich	Genauigkeit
H01 ~ H12	99.9%	$\pm (5\% + 10 \text{ Stellen})$
H13~H25		$\pm (10\% + 10 \text{ Stellen})$

— Bei AC V < 10 Ueff oder AC A < 10 Aeff wird „rdy“ angezeigt.

— Wenn die Grundfrequenz außerhalb des Bereichs von 45 ~ 65 Hz liegt, wird „out.F“ angezeigt.

(6) Einschaltstrom:

Funktion	Bereich	Genauigkeit
ACA	99,99 A	$\pm (2,5 \% + 0,2 \text{ A})$
	599,9 A	$\pm (2,5 \% + 5 \text{ Stellen})$

Genauigkeit definiert für:

Sinuswelle, Freq. 50/60Hz

- Integrationszeit ca. 100 m/sek.

Auslösepegel von EINSCHALTSTROM: 1 Aeff für 100 A-Bereich**(7) Wirkleistung: Watt**

Funktion	Bereich	Genauigkeit
ACW	9,999 kW*	Messwert $A_{\text{error}} \times V_{\text{reading}} + V_{\text{error}} \times A_{\text{}}$
	99,99 kW	
	599,9 kW	

* Der Messwert <1,000 kW, addieren Sie 10 Stellen zwecks Genauigkeit.

Genauigkeit definiert für:

ACW:

Sinuswelle, ACV ■ 10 Ueff, ACA ■ 5 Aeff

Freq. 50~60 Hz, PF=1,00

(8) Leistungsfaktor

Funktion	Bereich	Genauigkeit
PF	1,00	$\pm 5 \text{ Stellen}$

* ACA<100 A, addieren Sie ± 3 Stellen zwecks Genauigkeit.**(9) Widerstand & Durchgang & Diode:**

Funktion	Bereich	Genauigkeit
Widerstand	999,9 Ω	$\pm (1,0 \% + 5 \text{ Stellen})$
	9,999 k Ω	
	99,99 k Ω	
Kontinuität	999,9 Ω	$\pm (1,0 \% + 5 \text{ Stellen})$
Diode	0,40 ~ 0,80 V	$\pm 0,1 \text{ V}$

Max. Prüfstrom Ca. 0,5mA**Maximale Leerlaufspannung für Ω , \square "** : Ungefähr 3 V Maximale**Leerlaufspannung für Diode:** Ungefährer**Durchgangsschwellenwert** von 1,8 V: <300 Signalton EIN.

>1000 Signalton AUS.

Kontinuitätsindikator : 2 KHz Ton-Summer**Ansprechzeit der Kontinuität:** <100 ms

(10) Kapazität:

Funktion	Bereich	Genauigkeit
Kapazität	3,999 μ F	\pm (1,9 % + 8 Stellen)
	39,99 μ F	
	399,9 μ F	
	3999 μ F	

(11) Flex-Wechselstrom (Spannungseingang):

Funktion	Bereich (1 mV/1 A)	Genauigkeit*
ACA	300,0 A/3000 A	\pm (1 % +5 Stellen) (50~500 Hz)**
HFR ACA	300,0 A/3000 A	\pm (1 % +5 Stellen) (50~60 Hz)** \pm (5 % +5 Stellen) (61~400 Hz)**
SPITZE	420,0 A/4200 A	\pm (3 % +80 Stellen) (50~500 Hz)
EINSCHALTSTROM	300,0 A/3000 A	\pm (2 % +10 Stellen) (50/60 Hz)
Frequenz	99,99 Hz/999,9 Hz	\pm (0,5 % +3 Stellen) (<500 Hz)
THD	99,9%	\pm (5 % +10 Stellen)
Schaden H01-H12	99,9%	\pm (5 % +10 Stellen)

1 Die Genauigkeitsangabe umfasst keinen FLEX-Zangenstrommesser.

2 * ACA <300 Stellen, 3 Stellen zwecks Genauigkeit hinzufügen.

— Wenn ACA <30 Aeff ist, wird im Harmonic-Modus „rdy“ angezeigt.

Auslösepegel von EINSCHALTSTROM: 1 % des aktuellen Bereichs.

Informazioni per la sicurezza

Comprendere e seguire attentamente le istruzioni per il funzionamento.

AVVERTENZA

Identifica condizioni e azioni pericolose che potrebbero provocare LESIONI o MORTE








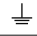



- Quando si utilizzano conduttore di prova o sonde, tenere le dita dietro le protezioni per le dita stessa.
- Si devono utilizzare dispositivi di protezione individuale se nell'impianto sui cui si deve eseguire la misura sono ACCESSIBILI ELEMENTI PERICOLOSI SOTTO TENSIONE
- Rimuovere i conduttori di prova prima di aprire la posta della batteria o la scatola del Tester.
- Utilizzare il tester solo come specificato nel presente manuale, la protezione fornita dal tester può essere deteriorata.
- Per le misure, utilizzare sempre i morsetti, la posizione dell'interruttore e la gamma appropriati.
- Verificare il funzionamento del tester misurando una tensione conosciuta. In caso di dubbi, fare eseguire manutenzione al Tester.
- Non applicare una tensione superiore a quella nominale, contrassegnata sul Tester, fra i morsetti oppure fra un morsetto e la messa a terra.
- Agire con cautela con tensioni superiori a 30Vca rms, picco 42Vca, oppure 60Vcc. Queste tensioni generano un pericolo di scosse,
- Al fine di evitare false letture che possono provocare scosse elettriche, sostituire la batteria non appena si accende l'indicatore di batteria quasi scarica.
- Disconnettere l'alimentazione del circuito e scaricare tutti i condensatori ad alta tensione prima di testare resistenza, continuità, diodi o capacitanza.
- Non utilizzare il tester in ambienti con gas esplosivi o vapori.
- Al fine di ridurre il rischio di scosse elettriche, non esporre il prodotto a pioggia o a umidità.
- I gruppi sonda da utilizzare per misure della RETE PRINCIPALI devono essere CLASSIFICATI come appropriato per CATEGORIA DI MISURA III o IV conformemente a ENI 61010-031 e dovranno avere una CLASSIFICAZIONE di tensione di almeno la tensione del circuito da misurare.

ATTENZIONE


Identifica condizioni e azioni che potrebbero DANNEGGIARE il tester o l'apparecchiatura che si sta testando.

- Disconnettere i conduttori di prova dai punti di test prima di cambiare la posizione dell'interruttore rotante delle funzioni.
- Non connettere mai una fonte di tensione all'interruttore rotante di funzioni in posizione tensione Ω , ⚡ .
- Non esporre il Tester a temperature estreme o ad alta umidità.
- Non impostare mai il tester in funzione corrente per misurare la tensione di un circuito di alimentazione in apparecchiature che potrebbero danneggiare sia il tester sia l'apparecchiatura che si sta testando. Ω , ⚡ .

Simboli come contrassegnati sul Tester e sul manuale istruzioni

	Rischio di scosse elettriche		Vedere il manuale di istruzioni
	Misura cc		Misura ca
	Corrente sia continua sia alternata		Batteria
	Apparecchiatura protetta da isolamento doppio o rinforzato.		Terra
			Conforme alle direttive UE
	L'applicazione e la rimozione da conduttori pericolosi sotto tensione è consentita.		Non gettare via il prodotto

Tensione Non Sicura

Per segnalare la presenza di tensione potenzialmente pericolosa, quando il Tester rileva una tensione ≈ 30 V o un sovraccarico di tensione (OL) O in V. Si visualizza il simbolo 

Manutenzione

Non cercare di riparare questo Tester. Non contiene parti su cui l'utente possa eseguire manutenzione. Le riparazioni o la manutenzione devono essere esclusivamente eseguite da personale qualificato.

Pulizia

Strofinare periodicamente la scatola con un panno asciutto e detergente. Non utilizzare abrasivi o solventi.

Caratteristica

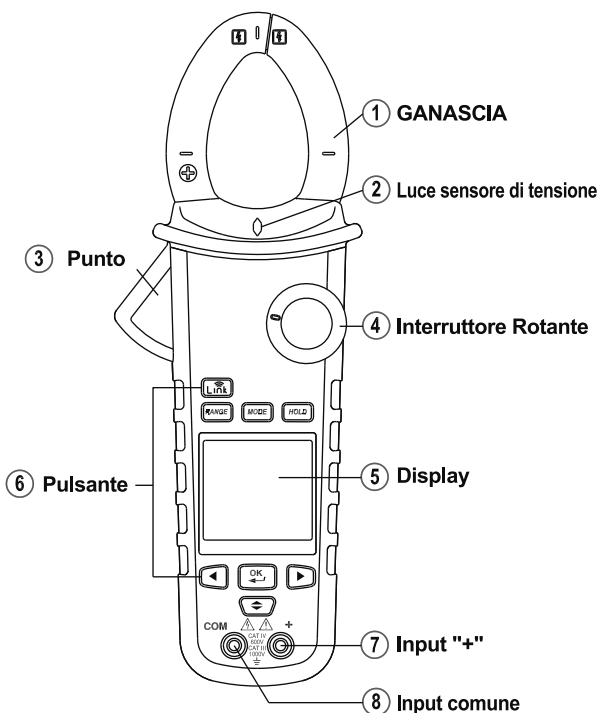
- Display digitale a 10000 conteggi
- Retroilluminazione Attiva, Display a larga scala
- VoltSeek (Tensione Senza Contatto)
- Grafico analogico a Barre
- Lettura True RMS su modo ca e ca + cc
- Salvataggio/Carico Memoria (quantità di dati fino a 1000)
- Registro Dati (quantità di dati fino a 9999)
- Comunicazione a trasmissione wireless
- Illuminazione a torcia quando è bloccato
- Capacità e selezione Auto ca/cc 1000 Volt
- Capacità di resistenza 100 K
- Segnalatore acustico di continuità.
- Contatore di Frequenza
- Misura della potenza e del Fattore di potenza
- Distorsione Totale degli Armonici e Armonici da 1 a 25
- Capacitanza
- Corrente di Picco
- Memorizzazione livello di picco
- Contenimento Min/Max
- Conservazione Smart dei Dati
- Indicazione di rotazione di fase
- Corrente ca
- Reiezione ad Alta Frequenza
- Spegnimento Automatico
- CAT. IV 600V / CAT. Normative di Sicurezza III 1000V

Disimballo e Ispezione

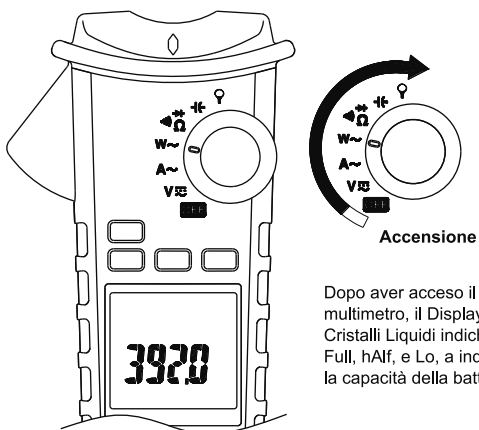
Quando si rimuove il nuovo Tester a Pinza dal suo imballo, dovrete avere gli elementi seguenti:

1. Multimetro Elettrico a Pinza
2. Set di conduttori di prova (no nero, uno rosso)
3. Manuale d'Uso
4. Cassetta per il trasporto
5. Batteria

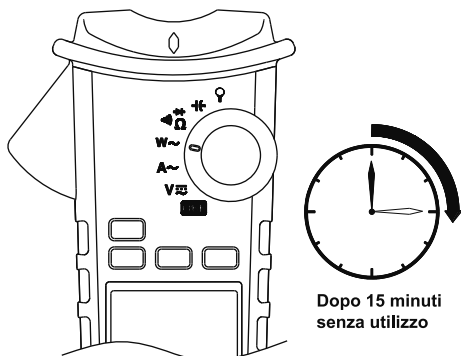
Descrizione del Tester



Accensione/Spegnimento



Spegnimento Automatico

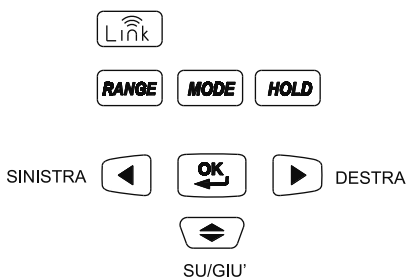


Il multimetro funzionerà nuovamente se lo si accende dalla posizione OFF

Disabilitazione Spegnimento Automatico (APO)

Quando si accende il multimetro dalla posizione OFF, premere il pulsante OK

Pulsanti



Funzionamento del Menu

MMA Hz HFR ~ ||| MEM LOG
A-SAVE SAVE LOAD CLR RATE

Esempio

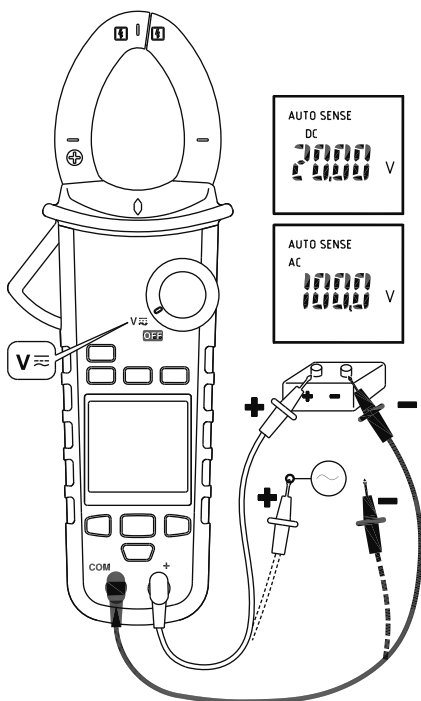
	Utilizzare i tasti Freccia per spostare il cursore lampeggiante all'icona desiderata, quindi premere il pulsante OK
	Utilizzare i tasti Freccia per spostare il cursore lampeggiante all'icona desiderata, quindi premere il pulsante OK per più di 2 secondi
<u>MMA</u>	L'icona senza sottolineatura significa che la funzione non è eseguita
<u>MMA</u>	L'icona con sottolineatura significa che la funzione è eseguita

Eseguire Misure di Base

Preparazione e Precauzioni Prima della Misura
 ⚠ : **Rispettare le regole** di ⚠ Avvertenze e ⚠
 Precauzioni. Le illustrazioni nelle pagine seguenti
 mostrano come seguire misure base.

Quando si connettono i conduttori di prova al DUT (Dispositivo In Prova) connettere il conduttore di prova comune prima di connettere il conduttore di prova in tensione; quando si rimuove il conduttore di prova, rimuovere il conduttore di prova in tensione prima di rimuovere il conduttori di prova comune.

Misurare la Tensione

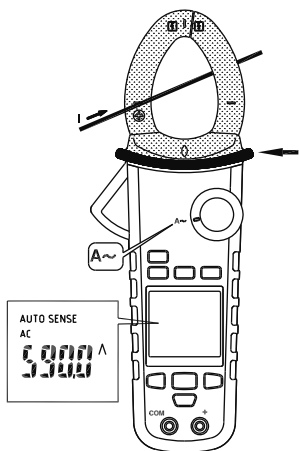


⚠ AVVERTENZA

Al fine di evitare scosse elettriche, pericoli, o danni al tester, non tentare misure che possano superare 1000 V cc o ca RMS. Non applicare più di 1000 V cc o ca RMS fra il morsetto di input comune e la terra.

Nota- Se la tensione misurata è superiore a 30 V cc o ca RMS, il display mostrerà il simbolo " ⚡ ".

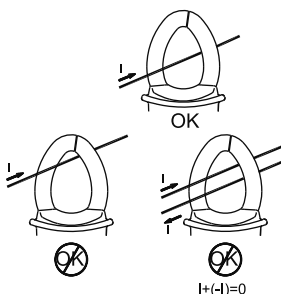
Misurare la Corrente



- Non attaccare alcun conduttore quando il tester è acceso.
- Illuminazione a torcia quando è bloccato

⚠ CAT.IV.600V
CAT m. 1000V per quanto attiene la terra della ganascia.
Barriera Tattile per protezione delle mani

⚠ No tenere il tester attraverso la Barriera Tattile



Modalità AUTO SENSE:

Visualizzare il risultato della misura in valore ca solo con valore RMS o valore cc, secondo qual è il maggiore.

Modalità AC: Ca solo con valore RMS.

Modalità DC: Valore cc.

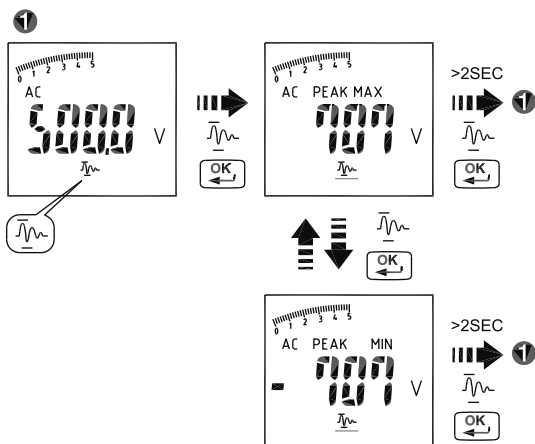
Modalità AC + DC: Valore ca+cc RMS.

Nota

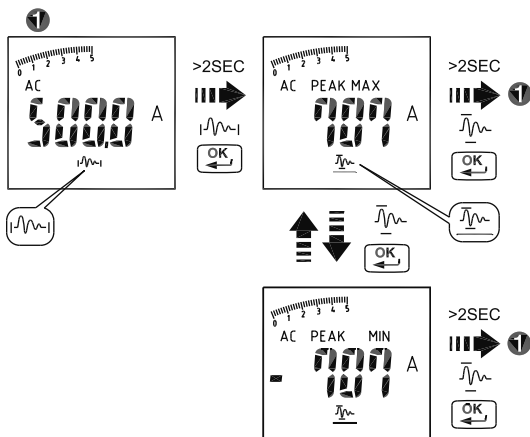
- Premere il pulsante MODE per entrare in modalità AC/DC/AC+DC.
- Premere il pulsante MODE per più di 2sec per ritornare alla modalità AUTO SENSE.

PEAK HOLD \bar{I} (Solo modalità AC)

Modalità ACV



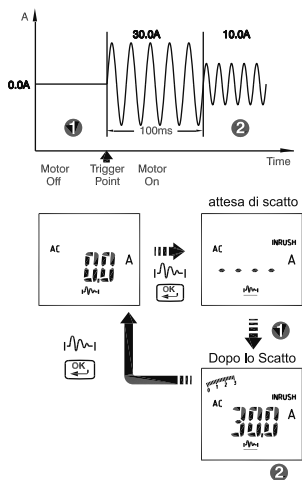
Modalità ACA



In modalità PEAK HOLD. Il tester è attivato per salvare il valore positivo di picco e il valore negativo di picco. Il valore positivo di picco è visualizzato in modalità PEAK MAX. Il valore negativo di picco è visualizzato in modalità PEAK MIN.

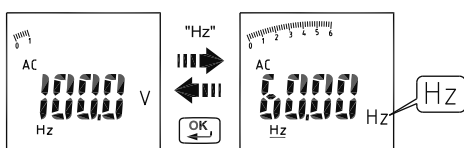
Corrente di picco \bar{I}_m : (Solo modalità AC)

Se la corrente di picco che si testa è superiore a 100A, vi invitiamo a selezionare in anticipo la gamma a 600A prima di attivare la corrente di picco.



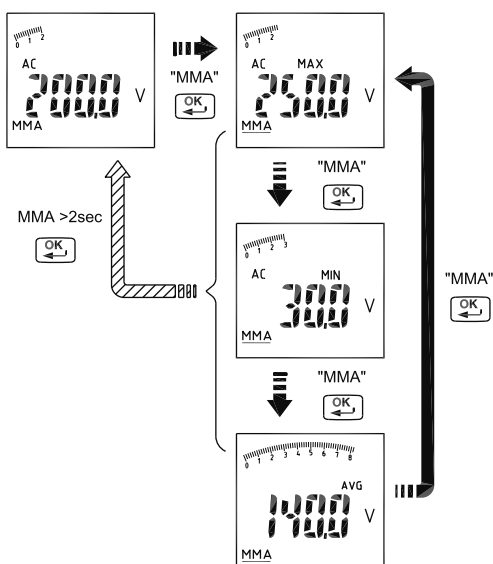
Misura della Frequenza (Solo modalità AC)

Selezionare l'indicatore "Hz" e quindi premere il pulsante OK per entrare/uscire dalla modalità di misura della frequenza.



MAX/MIN/AVG

La modalità MAX/MIN/AVG registra i valori di input min e max. Quando l'input va sotto il valore minimo registrato o sopra il valore max registrato, il tester registra il nuovo valore. La modalità MAX/MIN/AVG può anche calcolare la media delle letture.



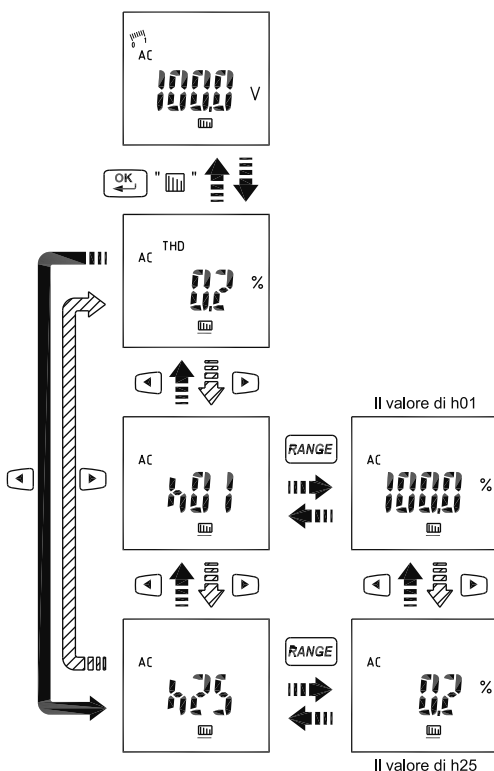
NOTA:

- Premere il tasto HOLD in modalità MAX/MIN/AVG perché il tester smetta di aggiornare i valori max, min, e di media. Quando a modalità HOLD è annidata in modalità MAX/MIN/AVG, occorre rilasciare la modalità HOLD prima della modalità MAX/MIN/AVG.

Misura degli Armonici (Solo modalità AC)

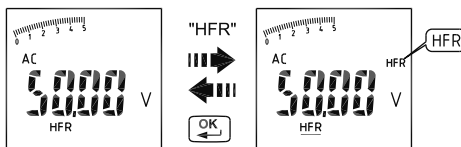
THD-F=RMS di Armonici + RMS di fondamentale X100%.
(Armonici fino al 25°)

Hn=RMS di Singolo Armonico + RMS di fondamentale X100%.
Premere il pulsante RANGE per visualizzare l'ordine armonico o il valore dell'armonico (unità: %).



HFR (Solo modalità AC)

Selezionare l'indicatore "HFR" e quindi premere il pulsante OK per eliminare il rumore dell'ala frequenza.



NOTA:

Le modalità Peak Hold, Inrush, HZ, Harmonic e HFR sono disponibili solo in modalità AC mode.

Misurare la potenza attiva(W)/Fattore di potenza (PF)

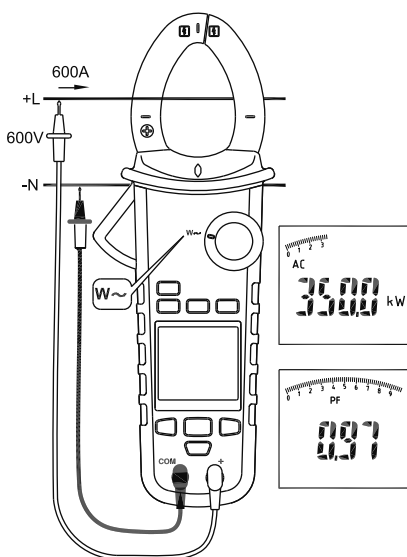
1.Misura di Alimentazione Monofase

Fase 1 Impostare l'interruttore rotante sulla posizione "W".

Fase 2 Connettere il conduttore di prova Rosso a L, e il conduttore di prova Nero a N.

Fase 3 Premere lo scatto per aprire le ganasce del trasformatore e bloccare un solo conduttore, accertarsi che la ganaschia sia saldamente chiusa attorno al conduttore.

Fase 4 Utilizzare il pulsante MODE per selezionare la modalità



NOTA :

- In modalità AutoSense, il tester visualizzerà ACW/DCW se si è rilevata una frequenza ca.

Segno di alimentazione attiva:

(La direzione della corrente deve essere lo stesso in figura.)

Nessun segno: Indica che l'alimentazione fluisce dalla fonte di alimentazione al carico.

segno " _ ": Indica che l'alimentazione fluisce dal carico alla fonte di alimentazione.

Segno del fattore di potenza:

Nessun segno: La fase del segnale di corrente ristagna dietro il segnale di tensione (carico induttivo).

segno " _ ": La fase del segnale di corrente guida il segnale di tensione (carico capacitativo).

Display Fuori Gamma

OL.U : Sovraccarico di tensione

OL.A : Sovraccarico di corrente

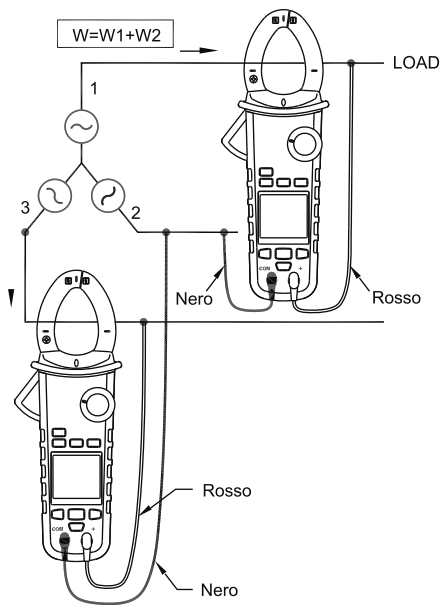
± OL kW : Alimentazione Attiva > 1050 kW oppure < -1050 kW.

2.Misura di Alimentazione Trifase

a.Trifase a 3 fili equilibrato/non equilibrato

Fase 1 Impostare l'interruttore rotante sulla posizione "W".

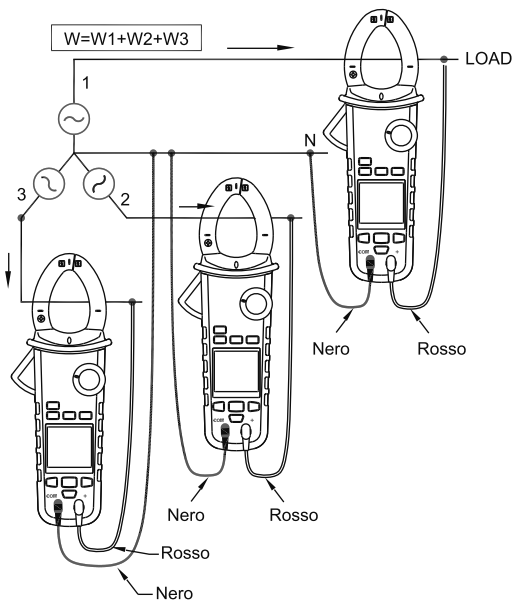
Fase 2 Utilizzare il pulsante MODE per scegliere la modalità ACW.



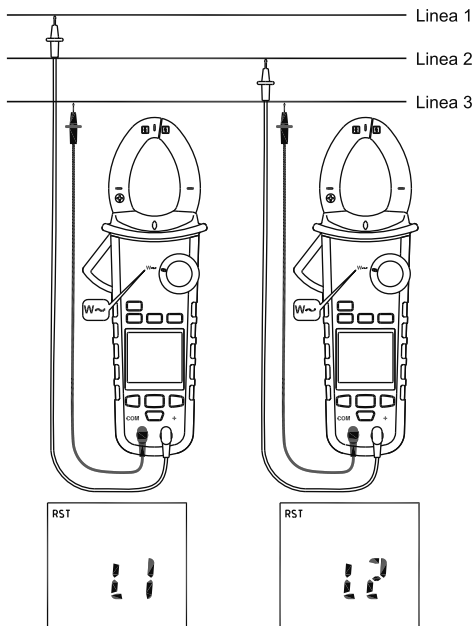
b. Trifase a 4 fili equilibrato/ non equilibrato.

Fase 1 Impostare l'interruttore rotante sulla posizione "W".

Fase 2 Utilizzare il pulsante MODE per scegliere la modalità ACW.



Rotazione di Fase



NOTA :

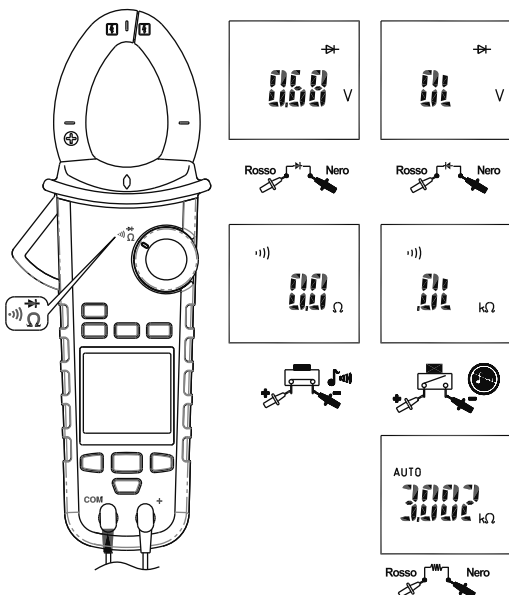
- Connettere la trifase supposta della fonte di potenza come indicato sopra
- Il test è disponibile solo quando la frequenza dell'impianto è stabile.
- Fase 1. Impostare l'interruttore rotante sulla posizione "W".
- Fase 2. Utilizzare il pulsante MODE per scegliere la modalità "RST".
- Fase 3. Connettere il conduttore di prova Rosso alla fase supposta Linea 1, e il conduttore di prova Nero alla fase supposta Linea 3.
 - a. se la tensione è > 1050V, si visualizzerà "OLU" e lampeggerà; se la tensione è <30V, si visualizzerà "LoU"
 - b. Se la frequenza è > 65Hz oppure < 45Hz, si visualizzerà "outF" e lampeggerà.
 - c. Se è normale, si visualizzerà "L1" per 3 secondi circa.
- Fase 4. Se visualizza "L2", il CICALINO suonerà due volte. Vi invitiamo ad accendere il conduttore di prova Rosso per connetterlo alla fase supposta della Linea 2 immediatamente prima che "L2" sparisca.
- Fase 5. Quando "L2" è sparita, si visualizzerà il risultato del test.



- Se si visualizza "1 2 3", la sequenza della fase è una frequenza in avanti, il che significa che la fase supposta per la Linea 1 è davanti alla fase supposta per la Linea 2.
- Se si visualizza "3 2 1", la sequenza della fase è una frequenza inversa, il che significa che la fase supposta per la Linea 2 è davanti alla fase supposta per la Linea 1.
- "--" significa che il tester non è in grado di determinare i risultati.
- Se si visualizza "LoU", è possibile che abbiate rimosso i conduttori di prova prima di aver completato tutte le procedure di test.

Fase 6: Per ripetere il test, premere nuovamente il pulsante OK.

Misura OHM



⚠ ATTENZIONE

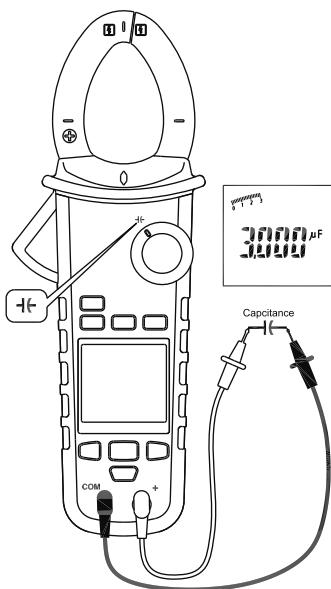
Al fine di evitare possibili danni al Tester o alle apparecchiature che si stanno testando, disconnettere l'alimentazione del circuito e scaricare tutti i condensatori ad alta tensione prima di misurare la resistenza e il diodo.

Nota:

- Premere il pulsante MODE per selezionare la modalità Ω , kHz oppure \rightarrow .
- Il LED rosso si accenderà, se la resistenza di DUT è $< 30 \Omega$.

Misurare la Capacitanza

Impostare l'interruttore rotante alla posizione C .



⚠ ATTENZIONE

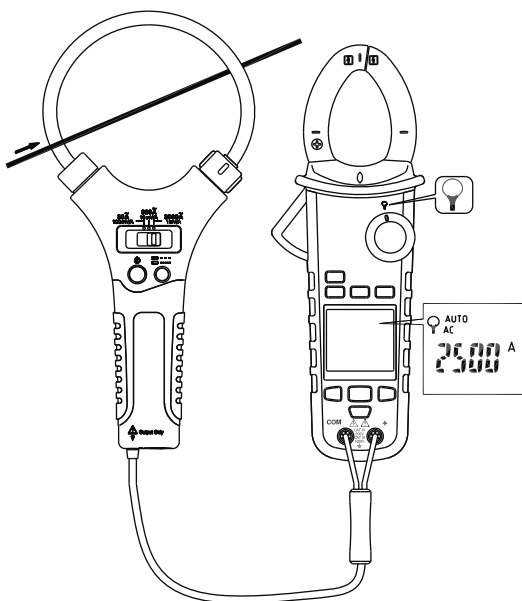
Al fine di evitare possibili danni al tester o alle apparecchiature che si stanno testando, disconnettere l'alimentazione del circuito e scaricare tutti i condensatori ad alta tensione prima di misurare la capacitanza. Utilizzare la funzione tensione cc per confermare che il condensatore è scarico.

Nota: Il tester visualizzerà "diSC" quando il condensatore si sta scaricando.

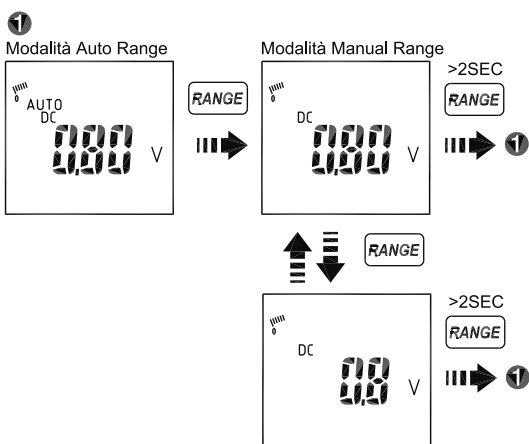
Misurare La Corrente con il Tester a Pinza Flessibile

Impostare l'interruttore rotante alla posizione I .

Mantenere la gamma del Tester a Pinza Flessibile) a un tasso di output 3000A/3V.

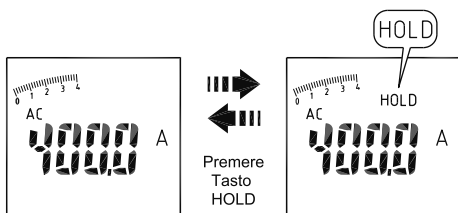
**Nota:**

Vi invitiamo a seguire le istruzioni illustrate sopra e a misurare una corrente conosciuta per accertarsi che la connessione fra i due tester sia corretta.

Altre funzioni:**GAMMA AUTO/MANUAL**

Tasto HOLD

Premere il tasto HOLD per congelare il valore visualizzato.



SMART HOLD Il tester emetterà un beep continuo e il display lampeggerà se il segnale misurato è superiore alla lettura del display (per funzioni di corrente V, A, W, e Flex AC)

Modalità MEM

Quando si misura, è possibile salvare le letture nella memoria e caricarle dalla memoria stessa. Il tester può salvare in memoria un massimo di 1000 dati. Per entrare in modo MEM, utilizzare i tasti Freccia per selezionare l'icona MEM, e premere il pulsante OK. In questa modalità, si può operare con le opzioni seguenti:

Utilizzare i tasti Freccia per selezionare le icone seguenti.	
A-SAVE (Auto-Save)	Si può operare nella modalità Auto-Save per il salvataggio automatico della nuova lettura. Quando si utilizzano sonde per misurare una nuova lettura, il tester la salverà automaticamente. In alcuni casi, la modalità Auto-Save non funzionerà. Per esempio, se la lettura è simile al limite A-SAVE, oppure se la lettura è OL. Premere il pulsante OK per entrare/uscire dalla modalità A-Save. Premere il pulsante RANGE per visualizzare la quantità di dati registrati/il valore attualmente misurato.
SAVE	Premere il pulsante OK per entrare in modalità SAVE. Premere il pulsante OK per salvare in memoria una nuova lettura. Premere il pulsante RANGE per visualizzare la quantità di dati registrati/il valore attualmente misurato. Premere il pulsante OK per più di 2sec per uscire dalla modalità.
LOAD	Premere il pulsante OK per entrare/uscire dalla modalità LOAD. Premere il pulsante LEFT o RIGHT per selezionare i dati. Premere il pulsante RANGE per selezionare l'indice dati/ il valore registrato.
CLR	Premere il pulsante OK per entrare in modalità CLR. Premere il pulsante OK per cancellare tutti i dati nella memoria. Premere il pulsante OK per più di 2sec per uscire da questa modalità.
MMA (MAX/MIN)	La modalità MMA è valida solo quando la modalità A-Save è stata eseguita ed è terminata. Premere il pulsante OK per entrare in modalità MMA. Premere il pulsante OK per visualizzare il valore massimo/minimo. Premere il pulsante OK per più di 2sec per uscire da questa modalità.

Per uscire dalla modalità MEM, utilizzare i tasti Freccia per selezionare l'icona MEM, e premere il pulsante OK.

Limite A-Save.

Funzione	Limite
V, A, W, Flex A, Cap	5 % della gamma
Hz	10% della gamma 100 Hz 5% della gamma 1 k/10k Hz .

Modalità LOG

E' possibile registrare a lungo in memoria varie letture e poi analizzarle e stampare un grafico.

Il tester può salvare in memoria un massimo di 9999 dati.

La velocità di registrazione può essere impostata fra 1 e 600 secondi. L'errore del timer è inferiore a 3 secondi l'ora.

Per entrare in modalità LOG, utilizzare i tasti Freccia per selezionare l'icona LOG, e premere il pulsante OK per entrare.

In questa modalità, si può operare con le opzioni seguenti:

Utilizzare i tasti Freccia per selezionare le icone seguenti.	
SAVE	Premere il pulsante OK per avviare il registro dati. Il registro registra regolarmente a intervalli regolari. Per arrestare il registro dati, premere nuovamente il pulsante OK.
LOAD	Premere il pulsante OK per esaminare i dati dalla memoria. Premere il pulsante LEFT o RIGHT per selezionare i dati. Premere il pulsante RANGE per selezionare l'indice dati/ il valore registrato. Premere il pulsante OK per ritornare.
RATE	Premere il pulsante OK per impostare la velocità di registrazione del registro. Premere il pulsante LEFT o RIGHT per selezionare la velocità. Premere il pulsante OK per ritornare.

Per uscire dalla modalità LOG, selezionare l'icona ILOG, e premere il pulsante OK.



Il tester utilizza la tecnologia wireless (BLE) v4.0 a bassa potenza per trasferire i dati in tempo reale. È possibile utilizzare la comunicazione RF per collegarsi a dispositivi android oppure apple.

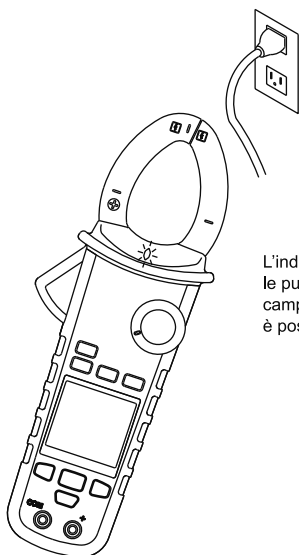
La gamma di comunicazione RF: All'aria aperta fino a 10 m

Questa funzione non è valida per INRUSH / Rotazione Fase.

Ricerca Volt

La forma a diamante rosso del LED si illuminerà, se un campo elettrico è stato rilevato dalla ganascia.

Nota - Questa funzione non è valida per OHM, Capacitanza, INRUSH, e Rotazione della Fase.



⚠ Attenzione

L'indicatore luminoso si accende quando le punte della pinza sono vicine a un campo elettrico. Se non vi sono indicazioni, è possibile vi sia ancora tensione.

Cicalino

Il Tester suona una volta per ogni pressione valida del tasto e due volte per ogni pressione non valida.

Opzioni accensione

Premere uno dei pulsanti seguenti quando si accede il tester dalla Posizione OFF.

Pulsante UP/DOWN : Visualizzazione della versione software.

Pulsante OK: Disabilita lo spegnimento automatico. Il display visualizza "AoFF".

Pulsante LEFT : Disabilita la retroilluminazione attiva. Il display visualizza "LoFF".

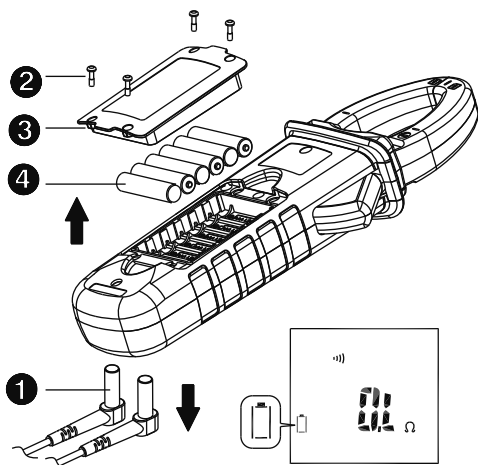
PULSANTE HOLD: Visualizza tutti i simboli LCD per circa 10 secondi.

Display Stato Batteria

L'utente può conoscere lo stato della batteria dall'indicatore della batteria.

Stato della batteria	Descrizione
	La batteria è completamente carica.
	Alla batteria rimangono 2/3 di alimentazione.
	Alla batteria rimane 1/3 di alimentazione.
	Sostituire la batteria non appena l'indicatore batteria quasi scarica lampeggia, al fine di evitare letture imprecise.

Sostituzione della Batteria



⚠ Attenzione

Rimuovere i conduttori di prova prima di aprire la porta della batteria o la scatola del Tester.

Specifiche

Specifiche Generali

Protezione Sovraccarico: 1000 Vrms
600 Arms

Conteggio Display 10000 oppure 4000

Velocità di Misura 3 volte/secondo

Display Fuori Gamma "OL" oppure "-OL".

Spegnimento Automatico 15 minuti circa

Requisiti di Potenza: Batterie alcaline 6x1.5 V AAA.

Durata di Vita della Batteria: 50 ore (senza Retroilluminazione).

Dimensioni 103mm(W) x 243mm(L) x 55mm(D)

Peso 540g (batteria inclusa)

Condizioni Ambientali

Utilizzo al Coperto

Calibratura: Ciclo di Calibratura per un anno.

Temperatura di Funzionamento:

0°C ~ 10°C

10°C ~ 30°C (80% Umidità Relativa),

30°C ~ 40°C (75% Umidità Relativa),

40°C ~ 50°C (45% Umidità Relativa)

Temperatura di stoccaggio: da -10 a 50 °C

0% Umidità Relativa a 80% Umidità Relativa (batterie non montate)

Coefficiente di Temperatura:

0,2 x (Precisione Specificata) / °C, < 18°C > 28°C

Categoria di Sovratensione: IEC 61010-1 600V CAT. W
1000V CAT. T.

IEC 61010-2-032, IEC 61010-2-033

CAT Campo di Applicazione

n	Circuite connessi direttamente a impianti a Bassa Tensione
m	Impianti di edifici.
W	Fonte dell'impianto a Bassa Tensione

Altitudine di Funzionamento: 2000m (6562 ft)

Dimensioni del conduttore: diametro 33mm

Grado di inquinamento: 2

EMC: EN 61326-1

Urti e Vibrazioni

Come da MIL-PRF-28800F per uno strumento di Classe 2

Protezione Cadute: Caduta da 4 piedi su pavimento in legno duro in calcestruzzo

Specifiche Elettriche

La precisione è \pm (% di lettura + numero di digit) a $23^{\circ}\text{C} \pm 5^{\circ}\text{C} < 80\% \text{ RH}$) La precisione p specificata per un anno dalla calibratura.

(1) Tensione

Funzione	Gamma	Precisione*
DCV	99,99V	$\pm (0.7\% + 2\text{dgt})$
	999,9V	
ACV	99,99V	$\pm (1.0\% + 5\text{dgt})$ 50 ~500Hz
	999,9V	
HFR ACV	99,99V	50 ~ 60Hz $\pm (1\% + 5\text{dgt})$ >60 ~ 400Hz $\pm (5\% + 5\text{dgt})$
	999,9V	

* DCV <1000dgt, aggiungere 6 dgt alla precisione.

ACV <1000dgt, aggiungere 3 dgt alla precisione.

Impedenza input: $3.5\text{M}\Omega // <100\text{pF}$

Tipo di Conversione CA: Il tipo di conversione ca input è accoppiato ca, risposta vero RMS, calibrato al valore RMS di un input a un'onda sinusoidale. Le precisioni sono date per un'onda sinusoidale a piena scala e onda non sinusoidale sotto mezza scala. Per l'onda non sinusoidale, aggiungere le correzioni del Fattore di Cresta seguenti : (50/60Hz)

Per Fattore di Cresta da 1,4 a 2,0, aggiungere 1,0% alla precisione.

Per Fattore di Cresta da 2,0 a 2,5, aggiungere 2,5% alla precisione.

Per Fattore di Cresta da 2,5 a 3,0, aggiungere 4,0% alla precisione.

CF 3 @ 280A

2 @ 420A

Precisione AC+DC Vrms: stessa delle specifiche ACV . +Specifiche DCV spec.

(2) Corrente

Funzione	Gamma	Precisione
ACA	99,99A	50 ~ 60Hz $\pm (1,5\% + 5\text{dgt})$ >60 ~ 400Hz $\pm (2\% + 5\text{dgt})$
	599,9A	
HFR ACA	0.10A ~ 99.99A	50 ~ 60Hz $\pm (1,5\% + 5\text{dgt})$ >60 ~ 400Hz $\pm (5\% + 5\text{dgt})$
	599,9A	

Il valore misurato <1000dgt, aggiungere 5 digit alla precisione.

Errore di Posizione: $\pm 1\%$ di lettura.

Tipo di conversione ca e la precisione supplementare è la stessa della tensione ca.

- Per una miglior precisione di misura della corrente elevata e del vincolo di aumento della temperatura della gamma massima 600A ca, non misurare per più di 10 minuti. Il tempo di riposo deve essere di almeno 30 minuti fra ogni misura.

(3) Mantenimento del Livello di Picco : Peak MAX / Peak MIN

Funzione	Gamma	Precisione
ACV	140,0V	$\pm (3.0\% + 15dgt)$
	1400V	
ACA	140,0A	$\pm (3.0\% + 15dgt)$
	850A	

Precisione definita per:

Onda sinusoidale, ACV>5Vrms / ACA -5Arms, Freq.50~400Hz.

— Per l'onda quadra, la precisione non è specificata.

— Appropriato solo per eventi ripetitivi.

(4) Frequenza

Funzione	Gamma	Precisione
Frequenza	20.00 ~ 99.99Hz	$\pm (0.5\% + 3dgt)$
	20.0 ~ 999.9Hz	
	0.020 ~ 9.999KHz	

Sensibilità:

10~100Vrms per gamma ca 100V

10~100Arms per gamma ca 100A (>400Hz Non specificato)

100~1000Vrms per gamma ca 1000V

100~100Vrms per gamma ca 6000A

(>400Hz Non specificato)

- La lettura sarà 0.0 per segnali inferiori a 10.0 Hz.

(5) Distorsione Armonica Totale :

Funzione	Gamma	Precisione
ACA /ACV	99.9%	$\pm (3.0\% + 10dgt)$

Misura della distorsione armonica:

Ordine armonico	Gamma	Precisione
H01 ~ H12	99.9%	$\pm (5\% + 10dgt)$
H13~H25		$\pm (10\% + 10dgt)$

— Se ACV<10Vrms or ACA <10Arms, visualizzerà "rdy".

— Se la frequenza fondamentale fuori gamma è 45 ~ 65Hz, visualizzerà "out.F".

(6) Corrente di Picco:

Funzione	Gamma	Precisione
ACA	99,99 A	$\pm (2,5 \% + 0,2 \text{ A})$
	599,9 A	$\pm (2.5\% + 5\text{dgt})$

Precisione definita per:

Onda Sinusoidale: Freq. 50/60Hz

- Tempo di integrazione circa 100m sec

Livello di scatto di INRUSH: 1Arms per gamma100A

10Arms per gamma 600A

(7) Alimentazione Attiva: Watt

Funzione	Gamma	Precisione
ACW	9.999 kW*	A,erroreV,lettura + V,erroreA,lettura,
	99,99 kW	
	599,9KW	

* Il valore misurato<1.000kW , aggiungere 10 dgt alla precisione.

Precisione definita per:

ACW:

Onda sinusoidale, ACV ■ 10 Vrms, ACA ■ 5 Arms

Freq. 50~60Hz, PF=1.00

(8) Fattore di Potenza

Funzione	Gamma	Precisione
Fattore di Potenza	1,00	$\pm 5\text{dgt}$

* ACA<100A, aggiungere $\pm 3\text{dgt}$ alla precisione.

(9) Resistenza & Continuità & Diodo:

Funzione	Gamma	Precisione
Resistenza	999.9 Ω	$\pm (1.0\% + 5\text{dgt})$
	9.999 k Ω	
	99.99 k Ω	
Continuità	999.9 Ω	$\pm (1.0\% + 5\text{dgt})$
Diodo	0.40~ 0.80V	$\pm 0,1\text{V}$

Max. Corrente di Prova Circa. 0,5mA

Tensione Max. Circuito Aperto per Ω , $\mu\Omega$: Circa 3V Tensione

Max. Circuito Aperto per diodo: Circa 1,8 V Soglia di

Continuità : <300 Beep On.

>1000 Beep OFF.

Indicatore di Continuità: 2 KHz Cicalino

Tempo di risposta di continuità: < 100ms.

(10) Capacitanza:

Funzione	Gamma	Precisione
CAPACITANZA	3.999 μ F	$\pm (1.9\% + 8\text{dgt})$
	39.99 μ F	
	399.9 μ F	
	3999 μ F	

(11) Flex corrente ca (input tensione):

Funzione	Gamma (1mV/1A)	Precisione*
ACA	300.0A/3000A	$\pm(1\%+5\text{dgt})$ (50~500Hz)**
HFR ACA	300.0A/3000A	$\pm(1\%+5\text{dgt})$ (50~60Hz)** $\pm(5\%+5\text{dgt})$ (61~400Hz)**
Picco	420.0A/4200A	$\pm(3\%+8\text{dgt})$ (50~500Hz)
INRUSH	300.0A/3000A	$\pm(2\%+10\text{dgt})$ (50/60Hz)
Frequenza	99.99Hz/999.9Hz	$\pm (0.5\%+3\text{dgt})$ (<500Hz)
THD	99.9%	$\pm(5\%+10\text{dgt})$
Armonico H01-H12	99.9%	$\pm(5\%+10\text{dgt})$

1 La precisione non comprende la misura della pinza FLEX

2 * ACA <300dgt, aggiungere 3 dgt alla precisione.

— Se ACA <30Arms, visualizzerà "rdy" in Modalità Armonica .

Livello di scatto di INRUSH : 1 % della gamma corrente



CANADA & USA

MGL America, Inc. ✉ cs.na@mgl-intl.com

2810 Coliseum Centre Drive, Ste. 100. Charlotte,

North Carolina 28217 USA

Tel: +1 833 533-5899

MEXICO & LATAM

MGL LATAM S.A DE CV ✉ cs.latam@mgl-intl.com

Colonia Industrial Vallejo Del. Azcapotzalco 02300,

Mexico D.F

Tel: +1 833-533-5899

EMEA

MGL Euman, S.L. ✉ cs.emea@mgl-intl.com

Parque Empresarial Argame, 33163 Morcín.

Asturias, Spain.

Tel: +34 985-08-18-70

UNITED KINGDOM

MGL GROUP U.K. LIMITED ✉ cs.uk@mgl-intl.com

14 Weller St, London, SE1 1QU, UK

Tel: +34 985-08-18-70

www.kps-intl.com



Incorporated with MGL

SKU Number:
KPSDCM5000PWCBINT

700019858 JULY 2021 V1

©2021 MGL International Group Limited. All rights reserved.

Specifications are subject to change without notification.