

ROTARY FIBER OPTIC PATCH PANEL

Rotary patch panel (20101xxx) apply to the protective connection of cable and pigtail, the Material is High quality ABS, brackets is cold rolled steel, this panel mainly installed in fiber optic cabinet and rack.

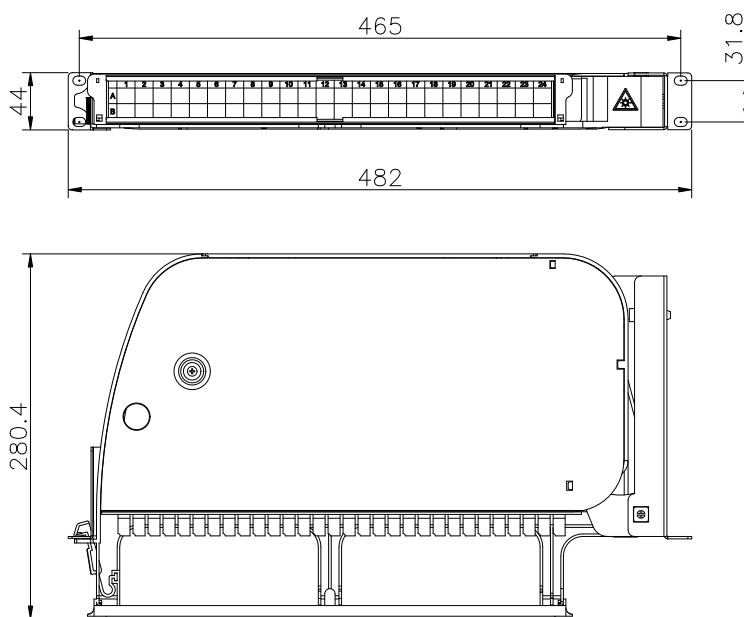


1. Fetures:

- 1) Max capacity is 120cores (LC 4port adapters)
- 2) Special rotary design, operation convenient
- 3) Variety of coled-rolled steel adapter plate for choice based on different demands
- 4) Material is ABS plastic, light weight.

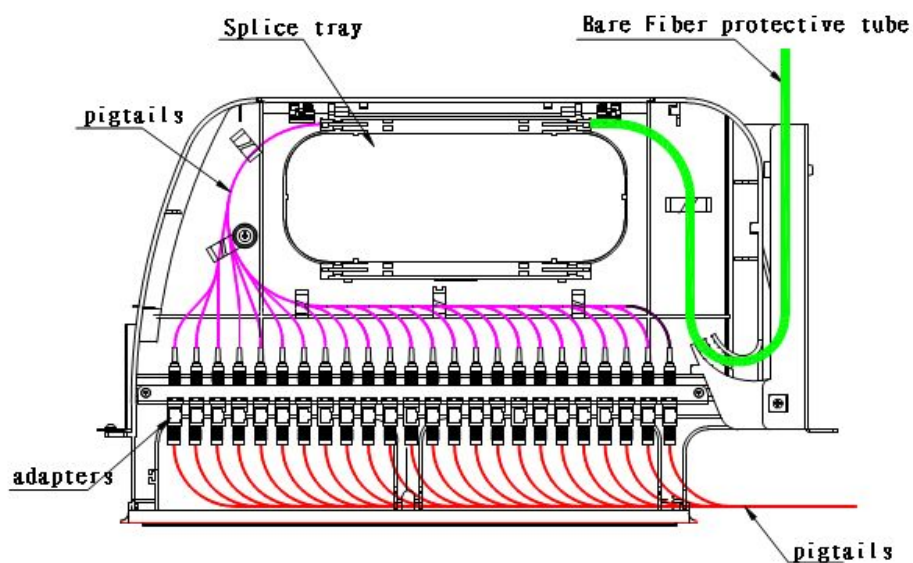


2. Size:



(W482mm×H44mm×D280.4mm)

3. Fiber arrangement drawings



20101496	12LC Duplex	1st Skarvkassett
20101498	24SC Simplex	1st Skarvkassett
20101499	24LC Duplex	2st Skarvkassetter
20101500	48SC Simplex med adaptrar utan öron	2st Skarvkassetter

