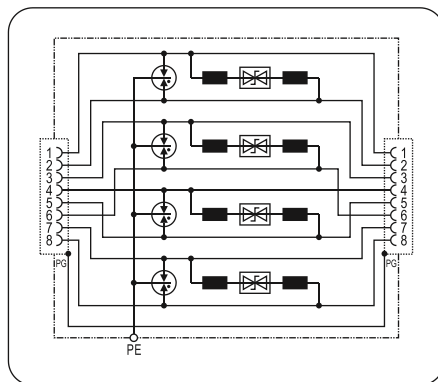


BS RJ45 G5 (A)



Basic circuit diagram:



• Technical data

Type		BS RJ45 G5 (A)
Art.-No.		20113442
Nominal voltage	U_N	5V-
Rated voltage (max. continuous voltage)	U_C	8V- / 5V ~
Nominal current	I_L	1A
Lightning impulse current (10/350)	I_{imp}	0.15kA (line-PG)
Nominal discharge current (8/20)	I_n	0.15kA (line-line) / 2.5kA (line-PG)
Total nominal discharge current (8/20)	I_n	10KA
Voltage protection level at I_n	U_p	$\leq 35V$ (line-line) / $\leq 600V$ (line-PG)
Transmission frequency	f_G	250MHz
Data transmission rates	V_s	1000MBit/s
Insertion loss at 250MHz	a_e	$\leq 2dB$
Capacitance	C	$\leq 165pF$ (line-line) / $\leq 255pF$ (line-PG)
Operating temperature range		-40°C...+80°C
Pining		1/2, 3/6, 4/5, 7/8
Connection		RJ45 shield (input / output)
Shield earthing		Screw terminal
Mounting on		35mm DIN rail
Enclosure material		Aluminum
Test standards		IEC 61643-21; GB 18802.21; YD/T 1542
Certification		CE (LVD,EMC)

• Product introduction

1. Summary

BS RJ45 G5 (A) is for installation at LZF 0_E-2 and higher interface or directly installed near the equipment; according to IEC standard for CAT 6 or Class E integrated wiring system; all the industrial Ethernet 10M, 100M, 1Gbit network surge protection.

2. Main character

- For protecting computer data transmission system, network system and so on
- Good discharge capacity, low voltage protection level
- Quick response, high transmission speed, low signal attenuation
- RJ45 connection, easy for installation

3. Application

BS RJ45 G5 (A) is applied in offices and industries like Gigabit Ethernet, ATM or ISDN system, and like VoIP. (e.g. Switch, router, HUB, modem and so on)

4. Application environment

- Temperature: -40°C ~ +80°C
- Relative humidity: $\leq 95\%$ (25°C)

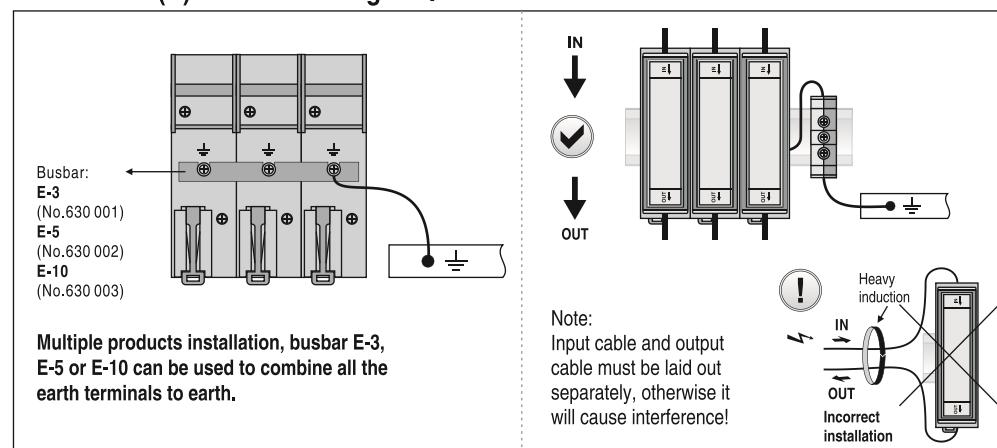
• Installation instruction

1. This product is connected in series to the protected device.
2. Mount the SPD on 35 mm DIN rail.
3. The OUT terminal should be connected to the protected devices.
4. SPD's earthing terminal must be connected to nearby earthing BusBar or the metal earthing enclosure of the protected device.
5. After above, you should ensure the circuit is functioning.

Regularly inspect the operating status, especially after lightning.

Once the communication is off, electrician should check/replace the SPD.

BS RJ45 G5 (A) installation diagram :



WARNING:

1. The device must be installed by electrically skilled person, conforming to national standards and safety regulations.
2. It is recommended that installation should be done under power off condition.