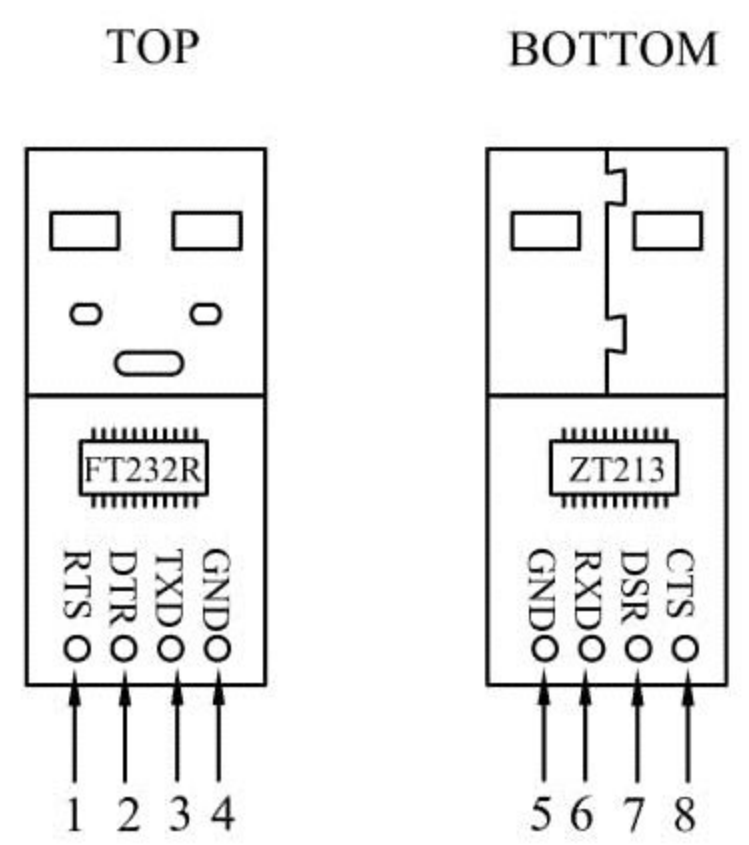


NOTES:
 1.ELECTRICAL TEST:100% OPEN,SHORT&MISSWIRE TEST.
 2.CONDUCTOR RESISTANCE:2ohm,
 INSULATOR RESISTANCE:10M ohm.
 3.HIGH VOLTAGE:DC 300V 0.01sec.
 4.MUST BE ROHS COMPLIANT.

FT232+ZT213



PIN WIRING

P1	P2
1	1(RTS)
2	2(DTR)
3	3(TXD)
4	4(GND)
5	5(GND)
6	6(RXD)
7	7(DSR)
8	8(CTS)

BOM

NO.	Name	SPECIFICATION	Q'TY
4	Molding	PVC 45P BLUE	1PCS
3	Connector	RJ45 8P8C MALE	1PCS
2	Connector	FTDI-FT232R+ZT213PCB USB A/M CONNECTOR PLASTIC:WHITE	1PCS
1	Cable	UL20251 28AWG(7/0.12TC)*8C PVC JACKET COLOR:BLUE OD=2.5*9.0±0.2mm L=1800±10MM	1PCS



Dataprodukter utöver det vanliga

TITLE	USB TO RJ45 serial cable				05-0603
	CUSTOMER				
	CUSTOMER'S ITEM				
SCALE	1:1	DRAWN BY	steve	DATE	2016-3-3
UNIT	mm	CHECKED BY		DRAWING NO.	
REV.	A	APPROVED BY			