

## ❖ Overview

It is a 10Gbps Fiber Optic Media Converter device, support 1\*1000M/2.5G/5G/10G copper ports and 1\*10G/5G/2.5G/1000M SFP+ ports; this device can realize the conversion between copper and fiber port. The product can be widely used in security monitoring, wireless networking, fiber optic access and other application scenarios. It has the characteristics of reliable work, strong and durable, high performance.

## ❖ Picture



## ❖ Features

- ❖ With 1\*1000M/2.5G/5G/10G copper ports and 1\*10G/5G/2.5G/1000M SFP+ ports;
- ❖ Network port supports fully automatic cross recognition, full/half duplex MDI/MDI-X adaptive;
- ❖ Panel indicators monitor operating status and help with fault analysis;
- ❖ The speed of copper port determines the speed of fiber port;
- ❖ Plug-and-play, no configuration required;
- ❖ Green energy saving, support EEE;
- ❖ Compatible with IEEE802.3u, IEEE802.3z, IEEE802.3an, IEEE802.3bz, IEEE802.3ae Ethernet standards;
- ❖ Supports 6KV contact / 8KV air ESD protection;
- ❖ Supports working temperature 0°C~40°C.

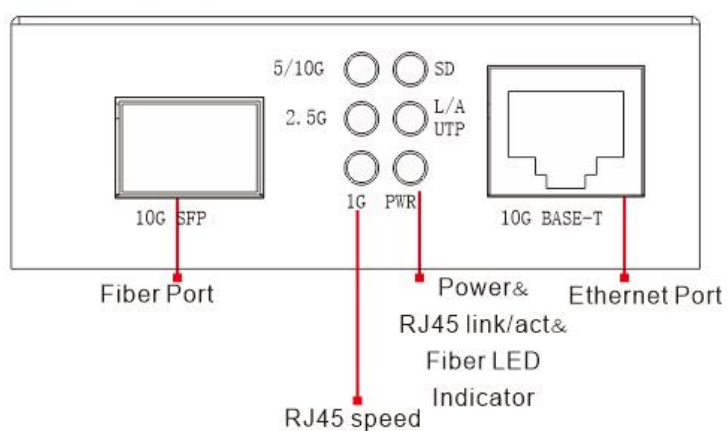
## ❖ Specifications

Parameter	Specifications
Power supply	Powered by power adaptor
Range of voltage	DC 5V
Consumption	Self consumption<6.7W
Downlink ports	1*1000/2.5G/5G/10GBase-T RJ45
Uplink ports	1*10G BASE-R/5G BASE-R/2.5GBASE-R/1000Base-X
Cable and distance	Use cat5e/6(1000BASE-T is 100m, 10GBASE-T about 30m)
Standard	IEEE802.3u, IEEE802.3z, IEEE802.3an, IEEE802.3bz, IEEE802.3ae
Indicator	Power: 1*Green ; indicate power on Speed <sup>(1)</sup> : 3*Green, indicate Copper Speed: 5/10G,2.5G,1G L/A UTP: 1*Green,indicate the Copper Link/ACT SD:1*Green,indicate the Optical signal detection
Protection	ESD: 6KV: contact / 8KV: air, standard:IEC61000-4-2
Working temperature	0℃~40℃
Storage temperature	-40℃~85℃
Humidity	0~95%(No condensation)
Dimension(H×W×D)	94 mm×71 mm×26mm
Material	Metal
Colour	Black
Net-weight	300g

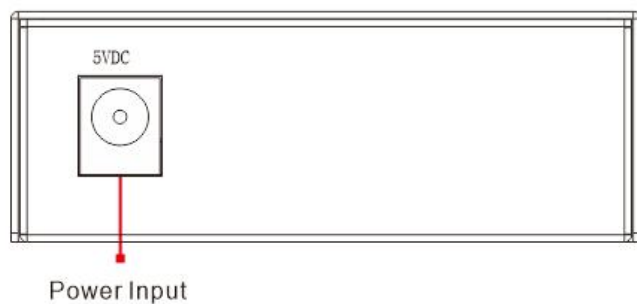
<sup>(1)</sup>Note: The speed of the Fiber port is determined by the link speed of UTP

## ❖ Panel diagram

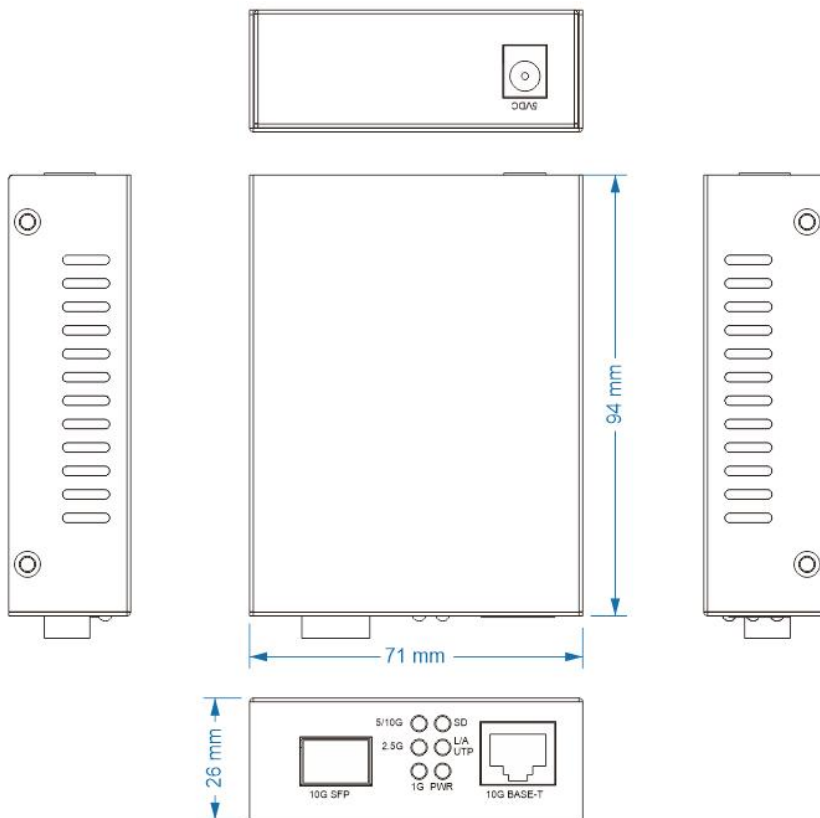
### ● Front panel



### ● Back panel



## ❖ Dimensions



## ❖ Order information

Model	Description
20118531	With 1*1000M/2.5G/5G/10G Copper ports and 1*10G/5G/2.5G/1000M SFP+ port; With DC5V,2A power supply;