

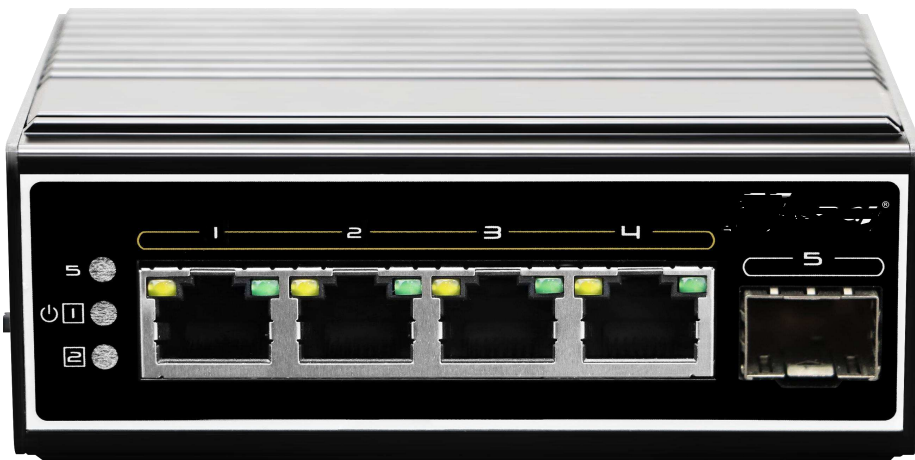
## ❖ Overview

NIE6041SPG is a 5-port industrial full gigabit PoE switch that supports up to 4\*10/100/1000M 30W PoE downlink ports(IEEE802.3af/at) and 1\*1000M SFP uplink port.

NIE6041SPG has a high anti-interference ability, the product supports 6KV surge protection, and 6KV contact / 8KV air ESD protection;

NIE6041SPG supports Din-rail installation, reliable and durable, and can be used in security network video monitoring, network engineering and other occasions.

## ❖ Picture



## ❖ Features

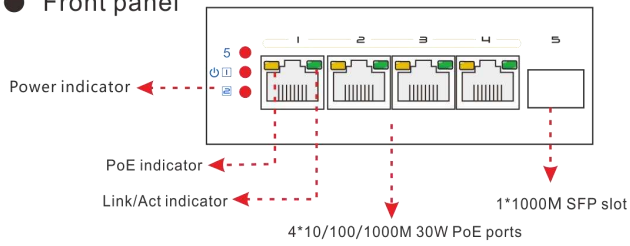
- ❖ With 4\*10/100/1000M 30W PoE ports and 1\*1000M SFP slot;
- ❖ Supports 6KV surge protection, 6KV contact / 8KV air ESD protection;
- ❖ Supports working temperature -40°C ~75°C;
- ❖ Supports Din-rail installation, reliable and durable. It can be used in security network video monitoring, network engineering and other occasions.

## ❖ Specifications

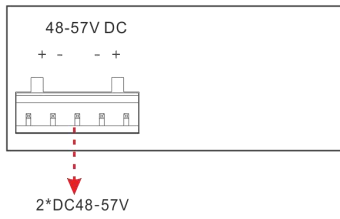
Parameter	Specifications
Protection Level	IP40
Power supply	Powered by power adaptor
Range of voltage	DC 48~57V
Consumption	Self consumption<5W
Downlink ports	Ports 1~4 10/100/1000Base-T 30W PoE RJ45(IEEE 802.3af/at)
Uplink ports	Port 5 1000Base-X SFP slot
Cable and distance	Use cat5e/6,100m max.
Standard	IEEE802.3, IEEE802.3u, IEEE802.3z
Switch fabric	10Gbps
Throughput	7.44Mpps
Buffer	1M
MAC address table	8K
Indicator	Power: 2 *red; Uplink 5: green LEDs indicate Link/Act Downlink 1~4: On RJ45 green LEDs/Act, yellow LEDs indicate PoE
Protection	Surge: 6KV, standard: IEC61000-4-5 ESD: 6KV: contact / 8KV: air, standard:IEC61000-4-2
Working temperature	-40℃~75℃
Storage temperature	-40℃~85℃
Humidity	0~95%(No condensation)
Dimension(L×W×H)	99 mm×65 mm×50mm
Material	Aluminium
Colour	Black
Net-weight	350g

## ❖ Panel diagram

### ● Front panel

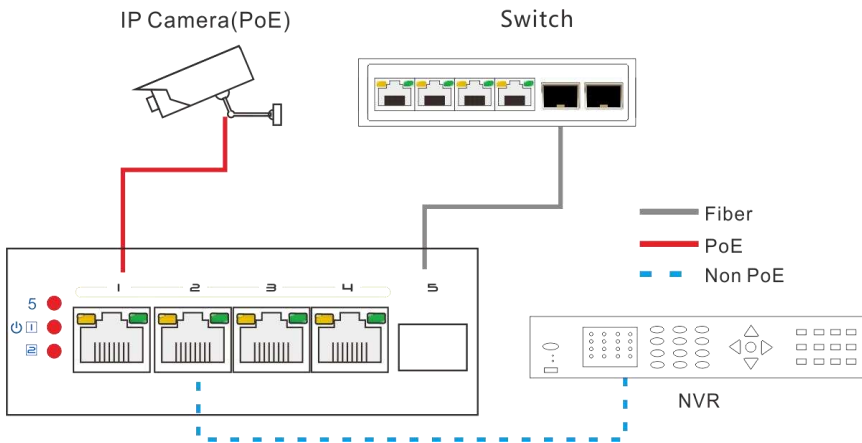


### ● Left panel

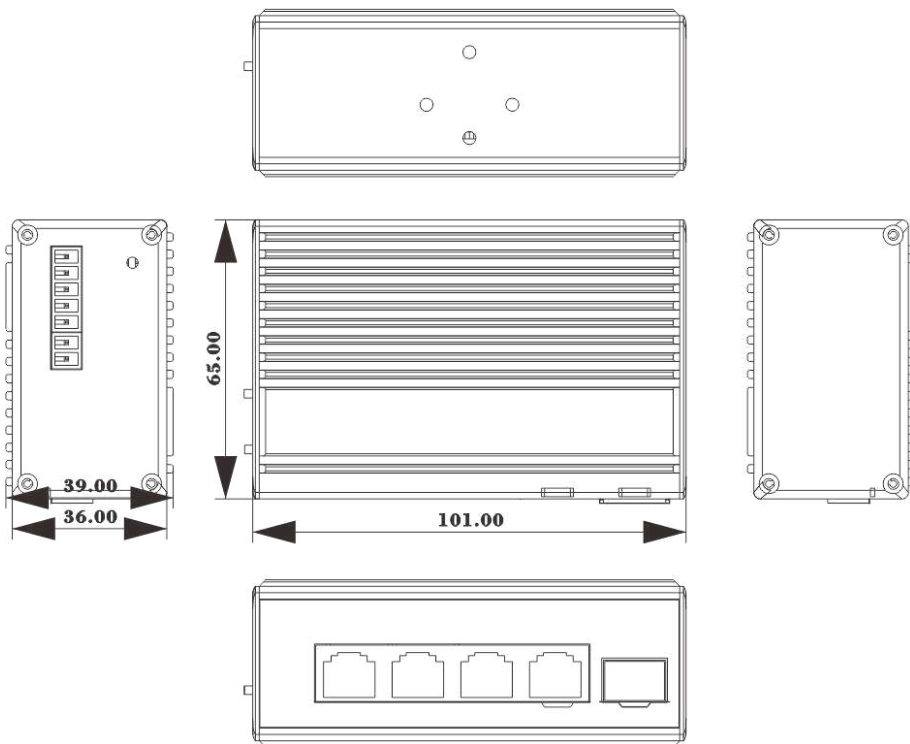


⚠ Attention1: This product must be well grounded against lightning , please use better than 20# cable to connect the grounding terminal and ground.

## ❖ Application



## ❖ Dimensions



## ❖ Order information

Model	Description
20115224	Ports 1~4:4*10/100/1000M 30W PoE RJ45 (IEEE 802.3af/at) Port 5: 1*1000M SFP slot. DC 48V-57V power input. -40~75°C.