

DIREKTRONIK

❖ Overview

4-port industrial full gigabit switch that supports up to 2 *10/100/100M downlink ports and 2*1000M SFP slots.

Fiber ports provides 2 modes through the dip switch, 100M mode and 1000M mode to adapt to variety needs.

It supports relay alarm for power off, network broken.

It has the characteristics of reliable work, strong and durable, high cost performance and so on. It can be used in security network video monitoring system, network engineering and other occasions.

❖ Picture



❖ Features

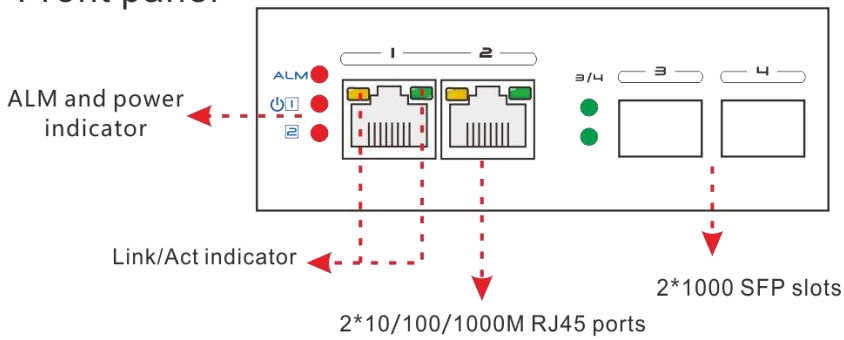
- ❖ With 2*10/100/1000M downlink ports and 2*1000M SFP ports;
- ❖ Fiber ports provides 2 modes through the dip switch, 100M mode and 1000M mode to adapt to variety needs;
- ❖ Supports relay alarm for power off, network broken;
- ❖ Supports 6KV surge protection, 6KV contact / 8KV air ESD protection;
- ❖ Supports working temperature -40°C~75°C.

❖ Specifications

Parameter	Specifications
Power supply	Powered by power adaptor
Range of voltage	DC 12~60V
Consumption	Self consumption<5W
Downlink ports	Ports 1~2 10/100/1000Base-T RJ45
Uplink ports	Ports 3~4 supports 2 modes of 100Base-TX and 1000Base-X
Working mode of fiber ports	It can be selected 100M work mode and 1000M work mode by dip switch
Relay alarm	1 channel relay alarm output for power off, ports link down
Cable and distance	Use cat5e/6,100m max
Standard	IEEE802.3, IEEE802.3u, IEEE802.3z
Switch fabric	8 Gbps
Though put	5.95 Mpps
Buffer	1M
MAC address table	8K
Indicator	Power: 1 *red ; Uplink3~4: Green LEDs indicate Link/Act Downlink 1~2: Yellow LED and green LEDs indicate Link/Act
Protection	Surge: 6KV, standard: IEC61000-4-5 ESD: 6KV: contact/8KV: air, standard:IEC61000-4-2
Working temperature	-40℃~75℃
Storage temperature	-40℃~85℃
Humidity	0~95%(No condensation)
Dimension(L×W×H)	101mm×65 mm×36mm
Material	Metal
Colour	Black
Net-weight	300g

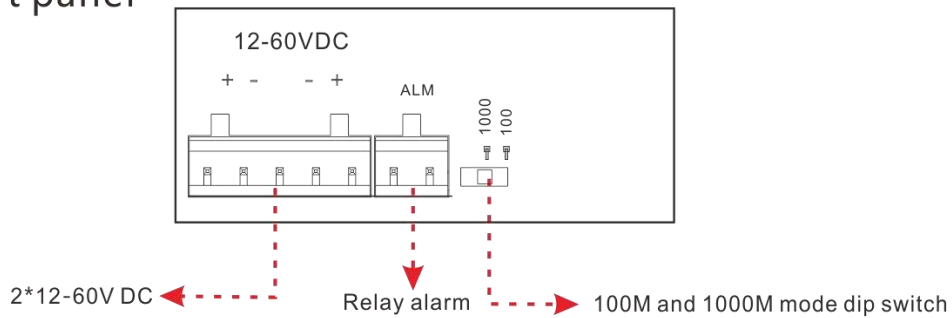
❖ Panel diagram

● Front panel



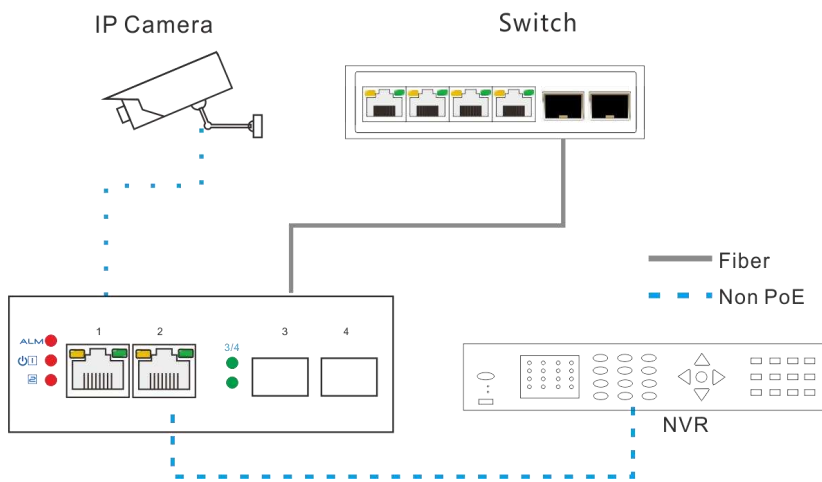
⚠ Attention1: This product must be well grounded against lightning , please use better than 20# cable to connect the grounding terminal and ground.

● Left panel

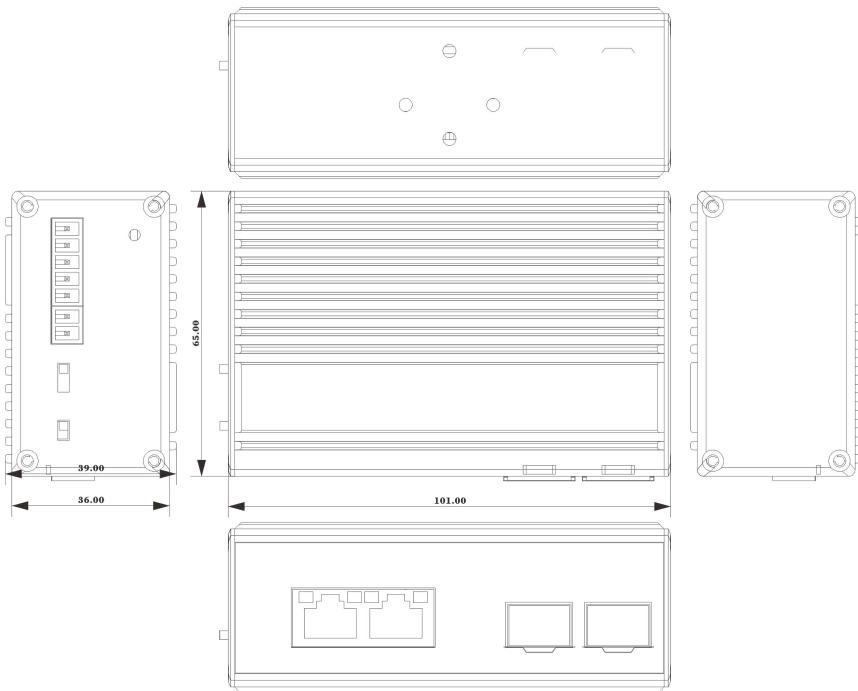


⚠ Attention 2: 100M and 1000M modes: It can be selected by dip switch.

❖ Application



❖ Dimensions



❖ Order information

Model	Description
20115204	With 2*10/100/1000M 90W high power PoE downlink ports and 2*1000M SFP ports; 2*DC48-57V power supply(Power adaptor buy extra); Fiber ports provides 2 modes through the dip switch, 100M mode and 1000M mode to adapt to variety needs; Supports relay alarm function for power off, network broken and PoE off; Supports the PoE Auto-check function.
20115203	With 2*10/100/1000M downlink ports and 2*1000M SFP ports; 2*DC12-60V power supply(Power adaptor buy extra); Fiber ports provides 2 modes through the dip switch, 100M mode and 1000M mode to adapt to variety needs; Supports relay alarm function for power off, network broken.

The logo for DIREKTRONIK is displayed in a bold, italicized, red font with a white outline. The letters are slanted to the right, giving it a dynamic appearance. The background behind the logo is a yellow curved shape that spans the bottom of the page.

Direktronik AB tel. 08-52 400 700 www.direktronik.se